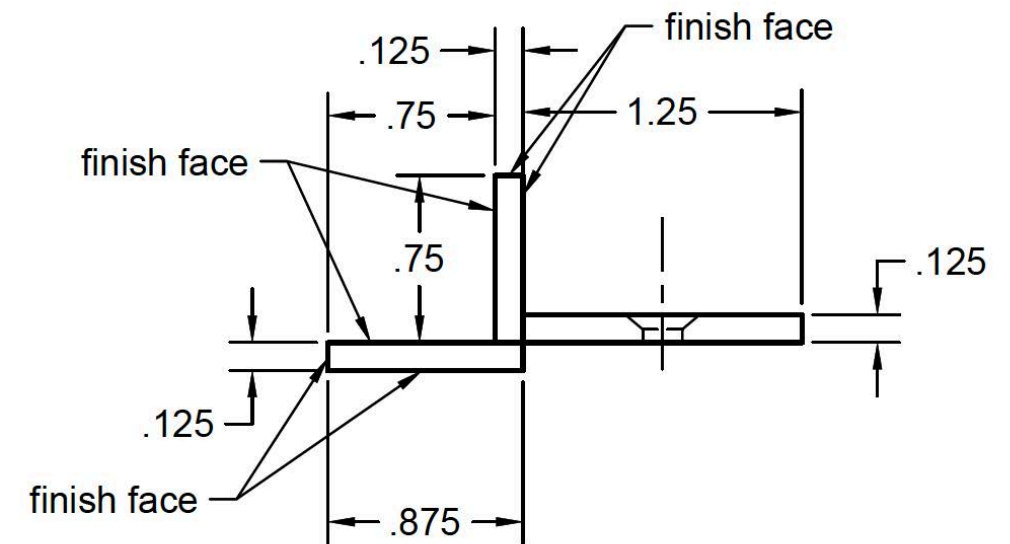
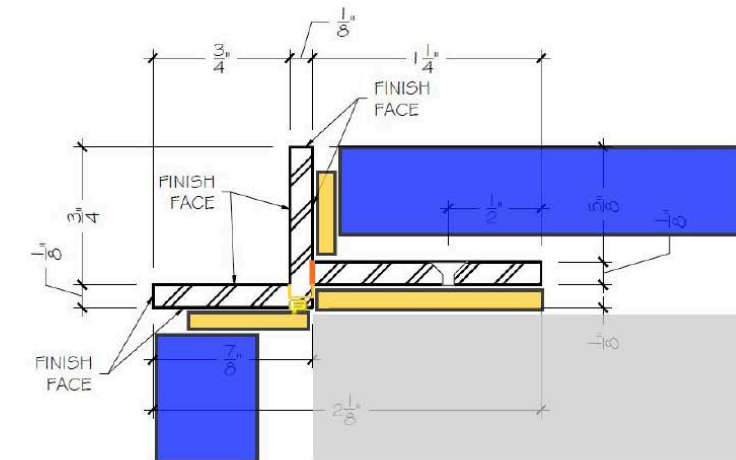
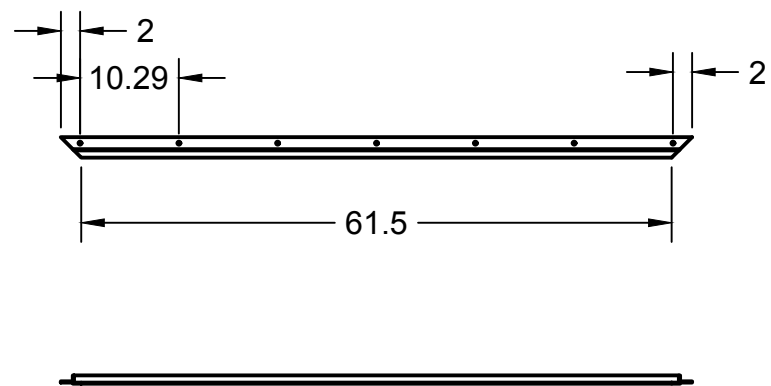
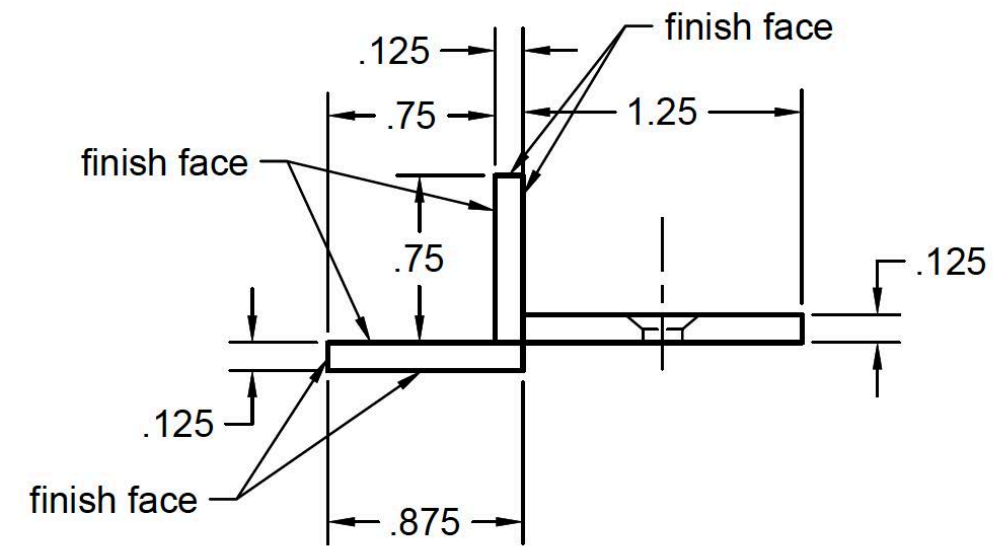
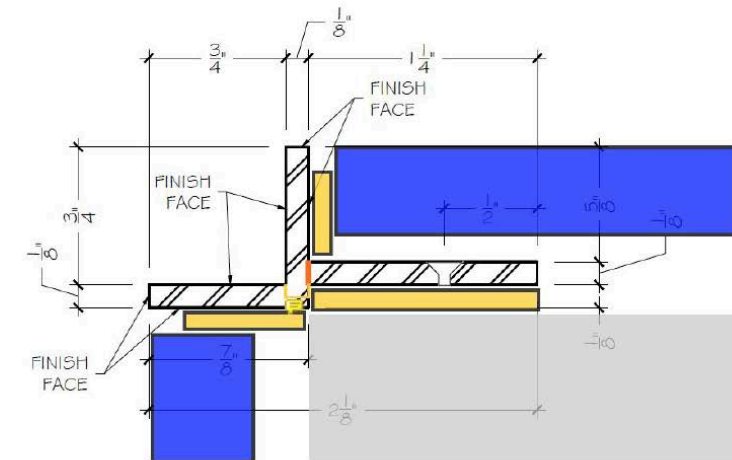
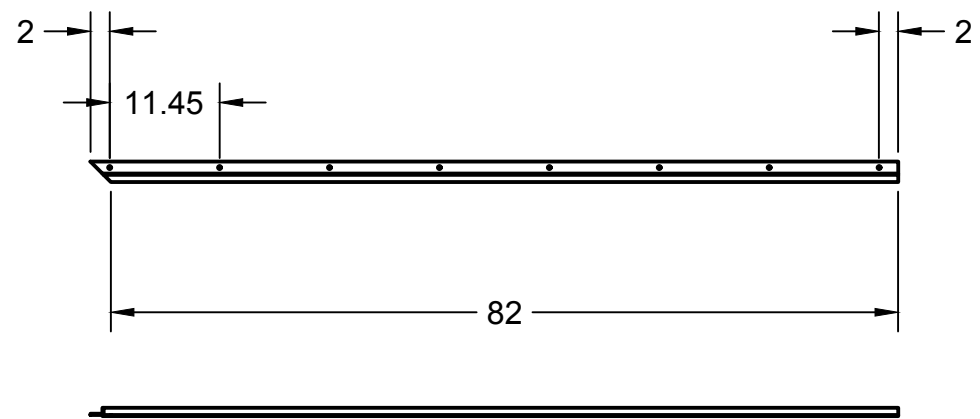


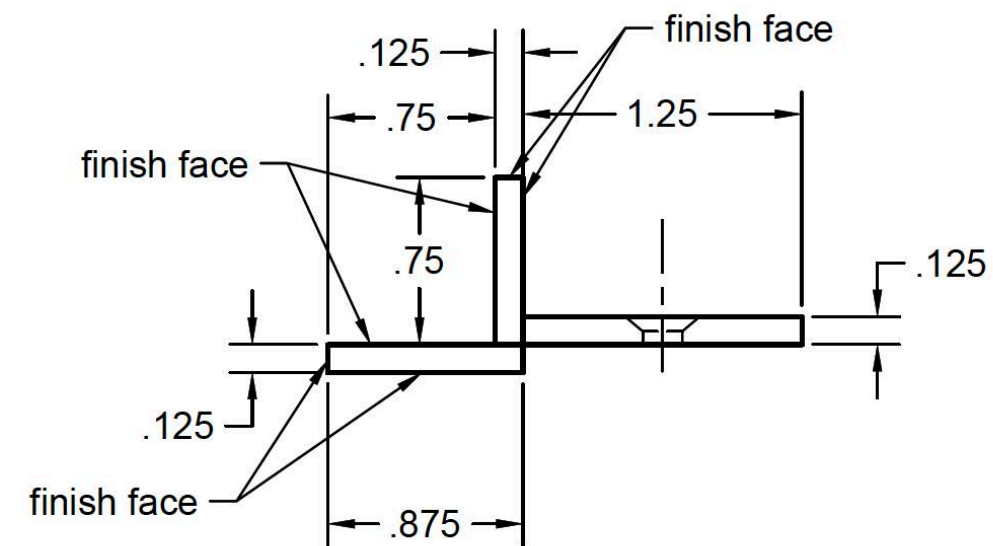
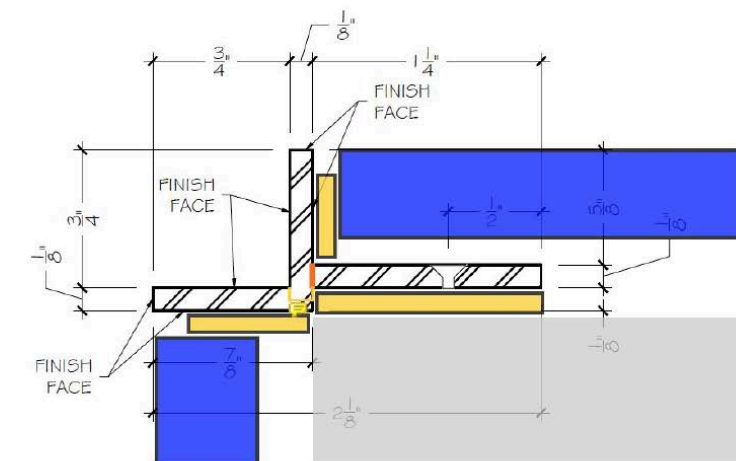
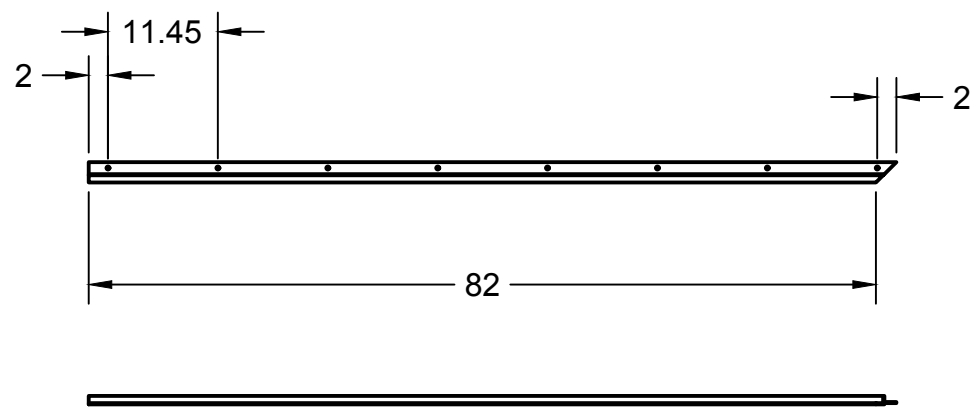
all holes drilled and countersunk for #8 screw 5.07 - B1	PROJECT			
	HPS			
APPROVED CHECKED DRAWN	TITLE			
	Type11&12_44"(MLeft)_x1			
	Weston Rivell	10/26/20	SCALE 1:20	WEIGHT
	SIZE	CODE	DWG NO	REV
	B			



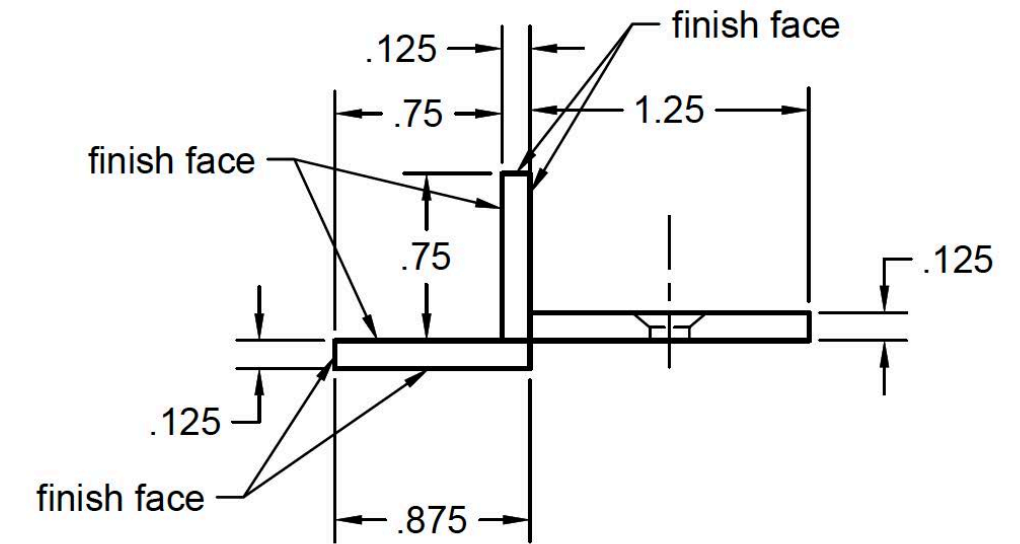
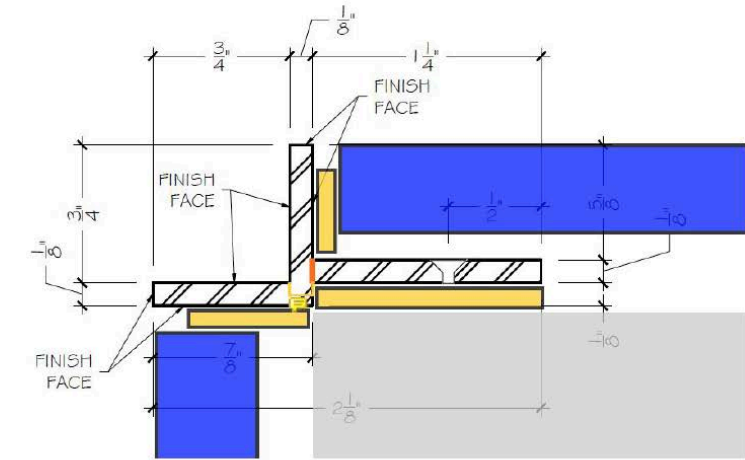
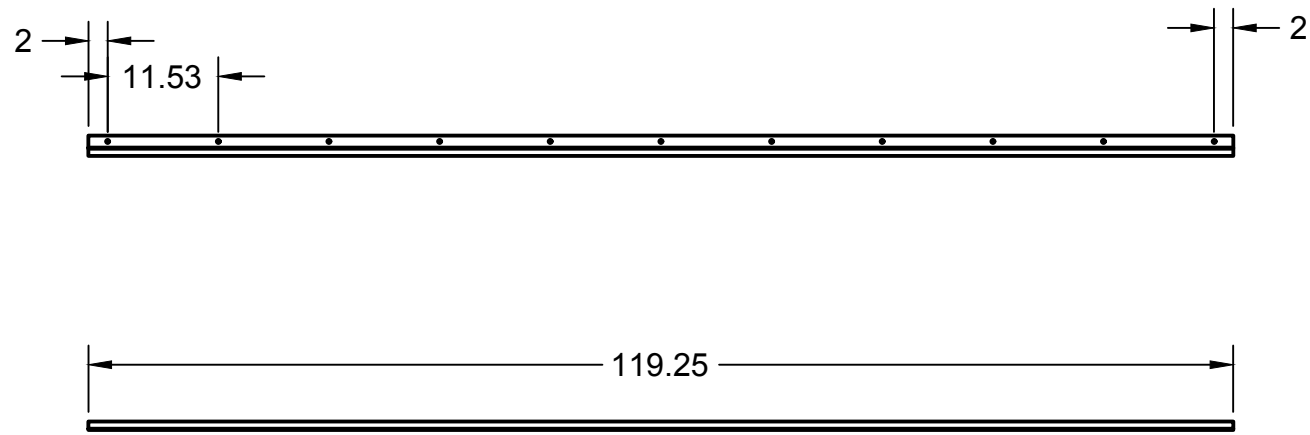
all holes drilled and countersunk for #8 screw	PROJECT			
	HPS			
5.03 - D	TITLE			
	Type11&12_61-1/2"(M)_x1			
APPROVED	SIZE	CODE	DWG NO	REV
CHECKED	B			
DRAWN Weston Rivell	10/26/20	SCALE 1:20	WEIGHT	SHEET 1/1



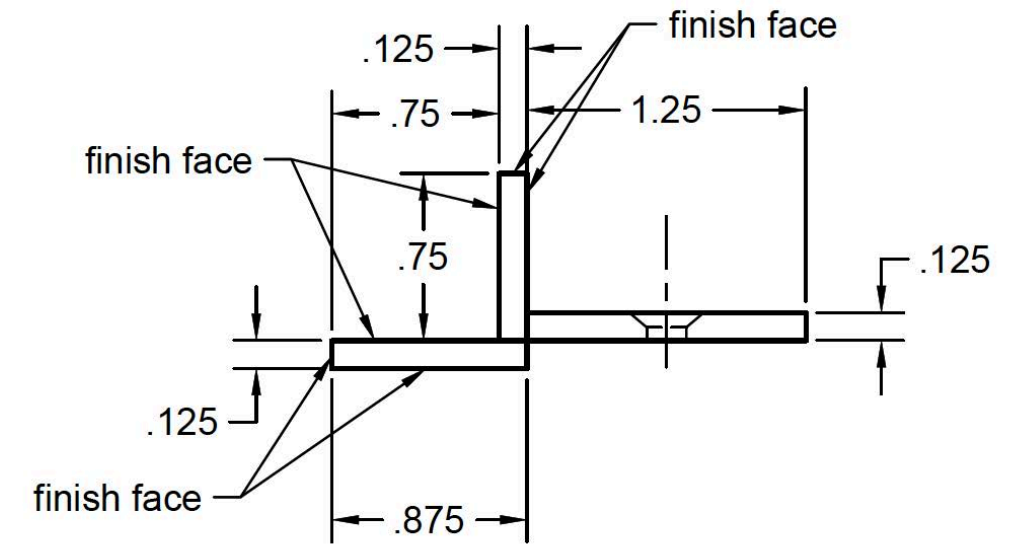
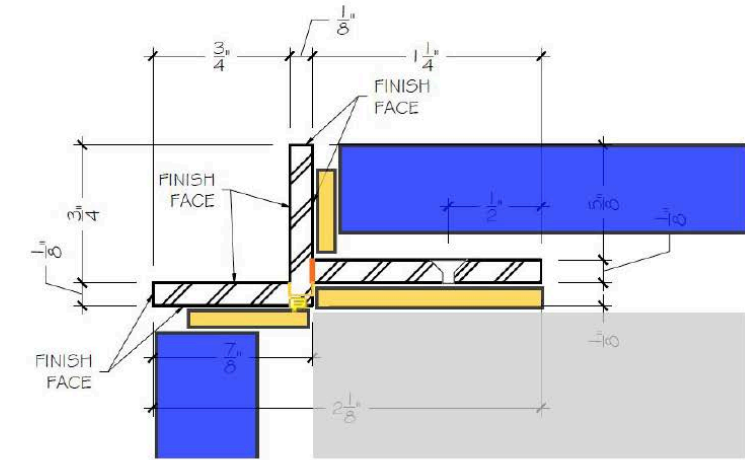
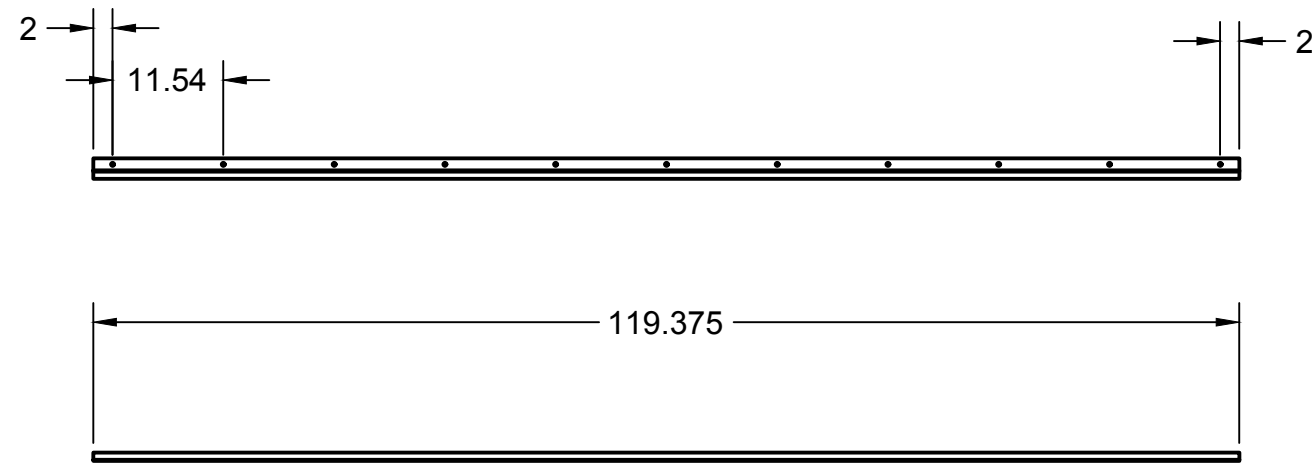
all holes drilled and countersunk for #8 screw 5.03 - E	PROJECT HPS			
	TITLE Type11&12_82"(MLeft)_x1			
APPROVED	SIZE	CODE	DWG NO	REV
CHECKED	B			
DRAWN Weston Rivell	10/26/20	SCALE 1:20	WEIGHT	SHEET 1/1



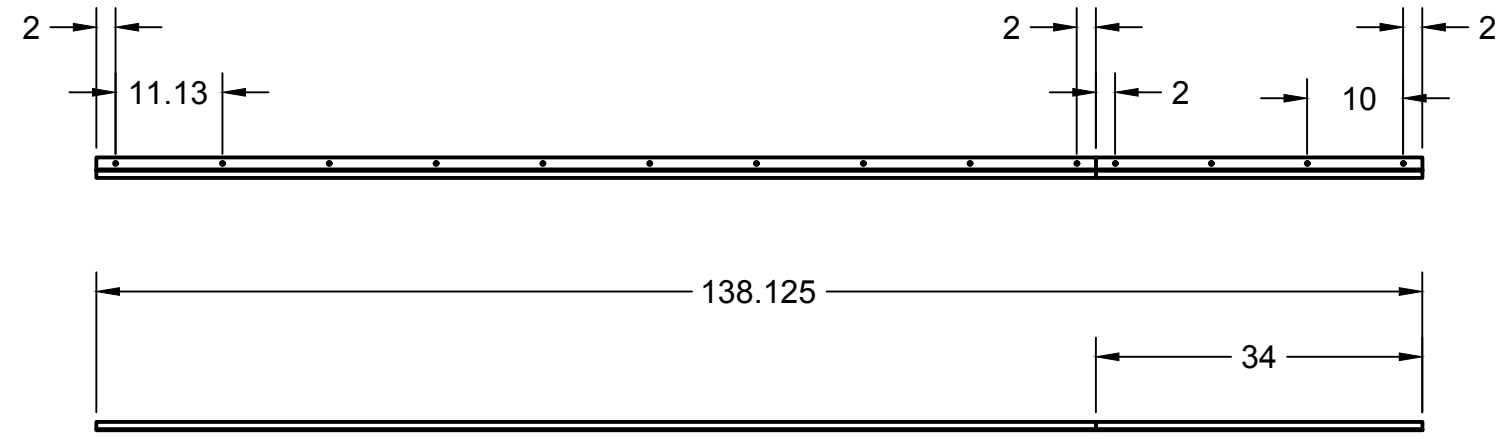
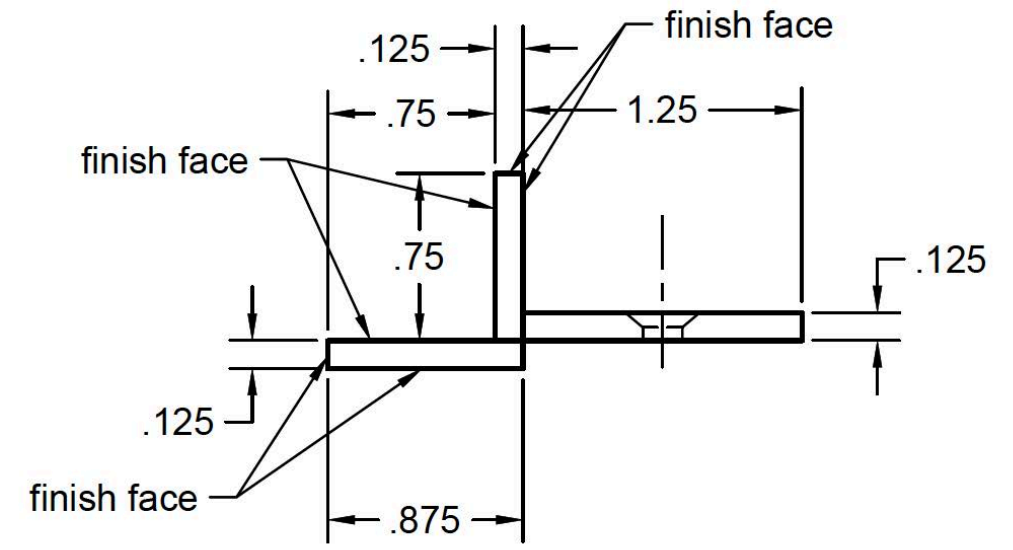
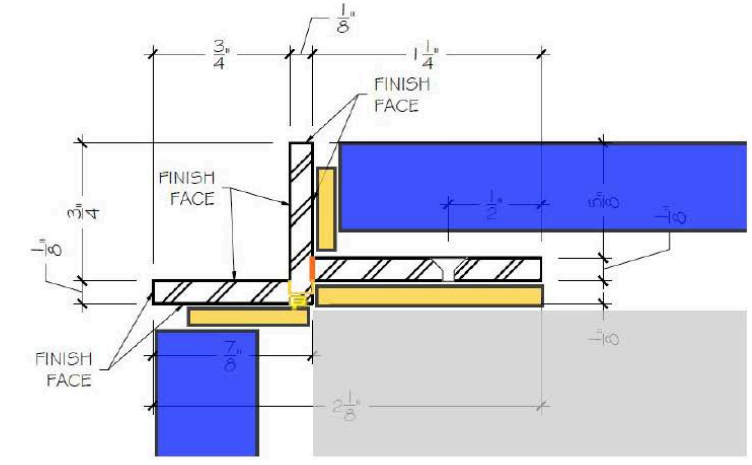
all holes drilled and countersunk for #8 screw 5.03 - C 5.07 - B1	PROJECT			
	HPS			
	TITLE			
	Type11&12_82"(MRight)_x2			
APPROVED	SIZE	CODE	DWG NO	REV
CHECKED	B			
DRAWN Weston Rivell	10/26/20	SCALE 1:20	WEIGHT	SHEET 1/1



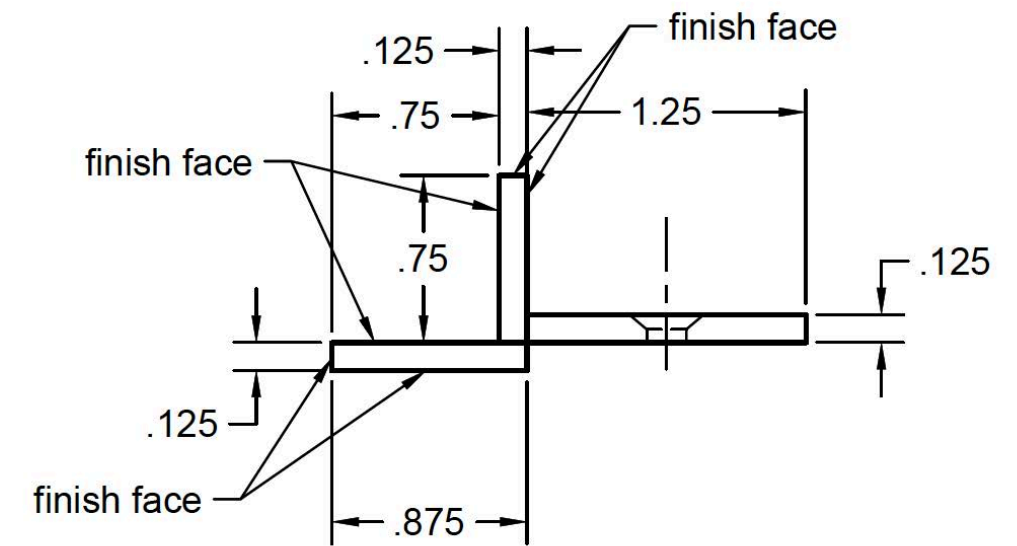
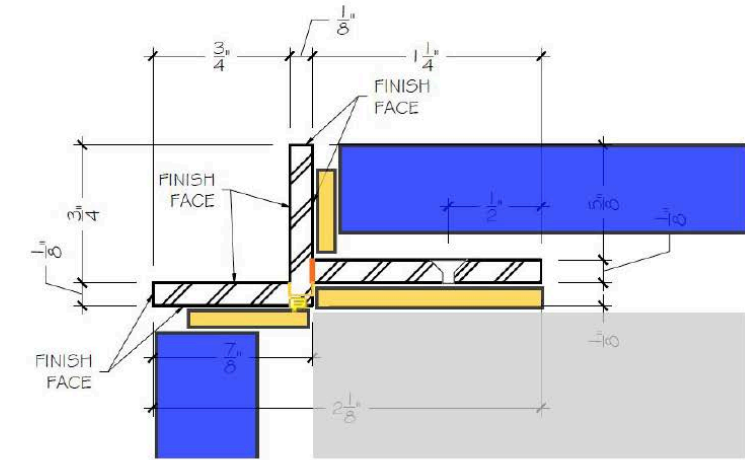
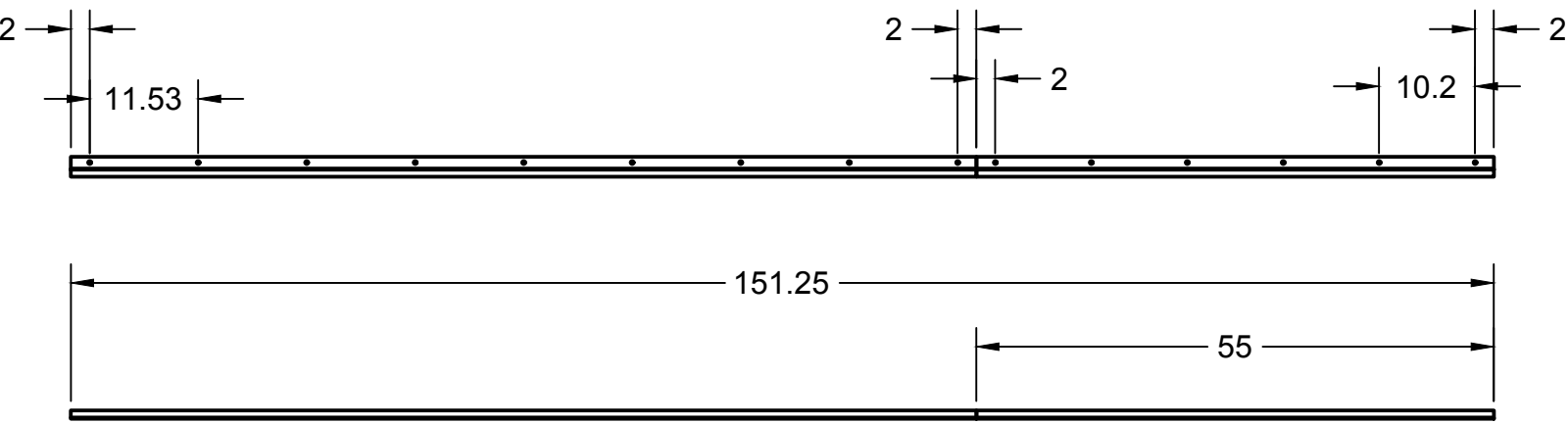
all holes drilled and countersunk for #8 screw 5.07 - D 5.09 - A, H, K, R EXTRA	PROJECT			
	HPS			
APPROVED CHECKED	TITLE			
	Type11&12_119-1/4"_x7			
DRAWN	Weston Rivell	10/26/20	SCALE 1:20	REV
			WEIGHT	SHEET 1/1



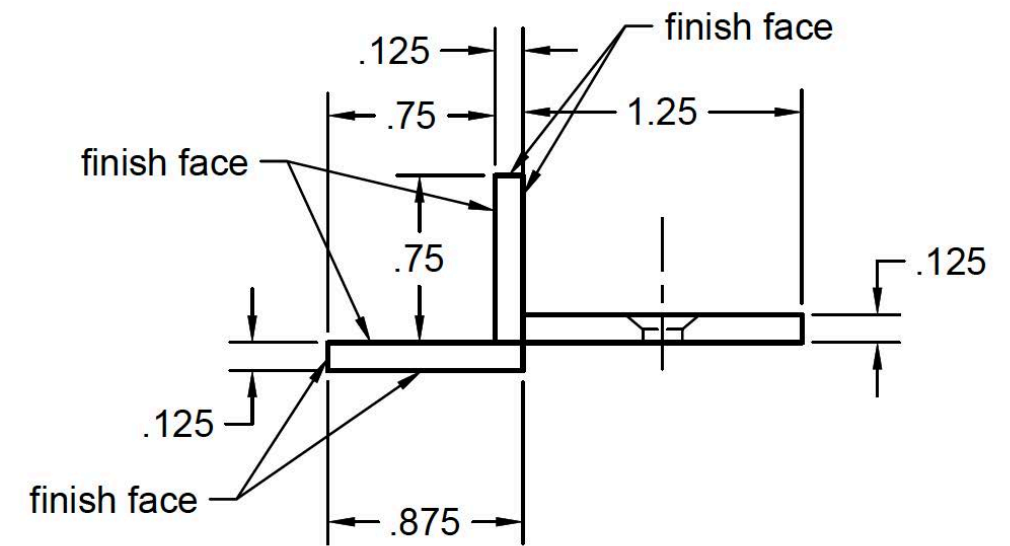
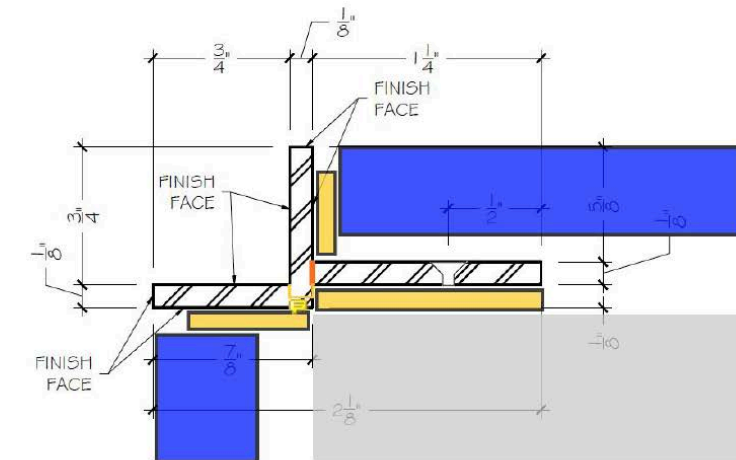
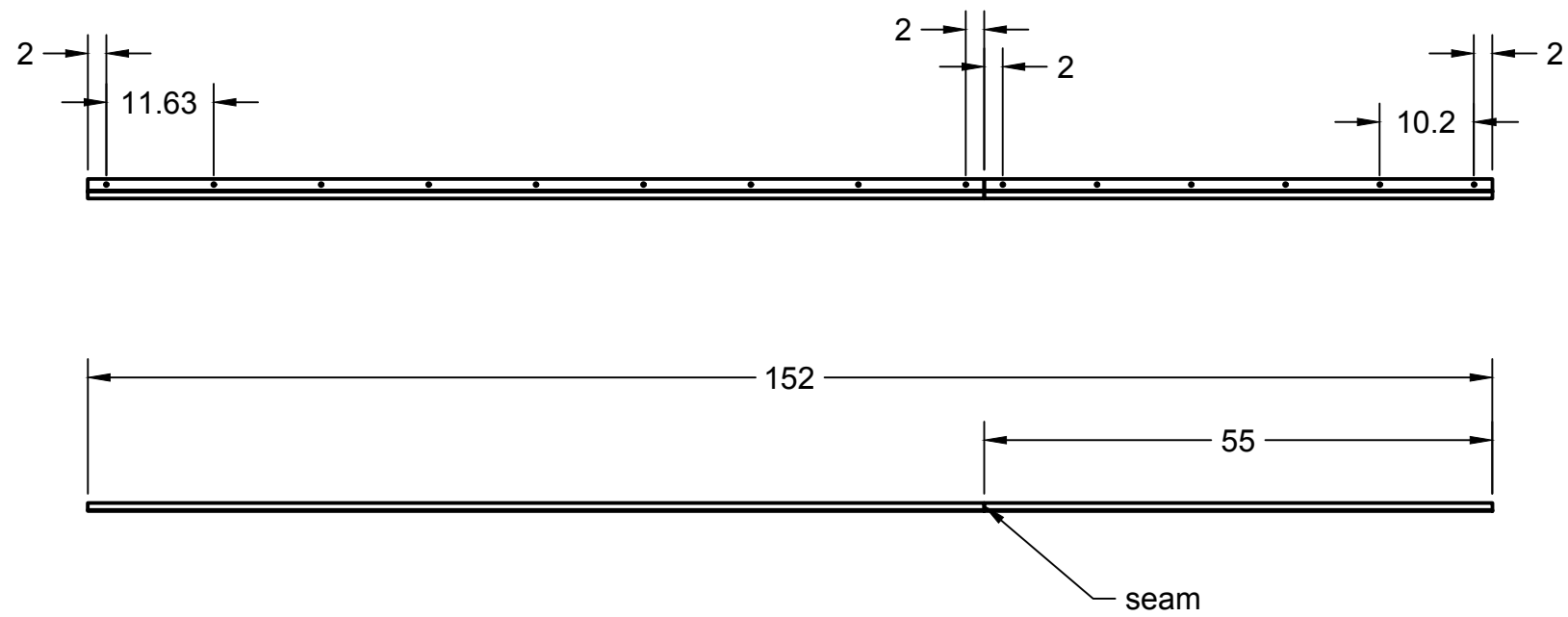
all holes drilled and countersunk for #8 screw 5.03 - H 5.04 - A	PROJECT			
	HPS			
APPROVED CHECKED	TITLE			
	Type11&12_119-3/8"_x2			
DRAWN	Weston Rivell	10/26/20	SCALE 1:20	REV
			WEIGHT	SHEET 1/1



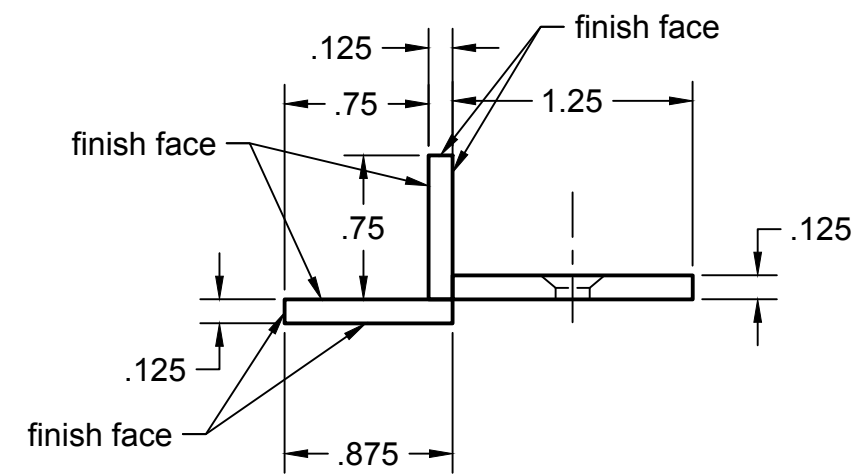
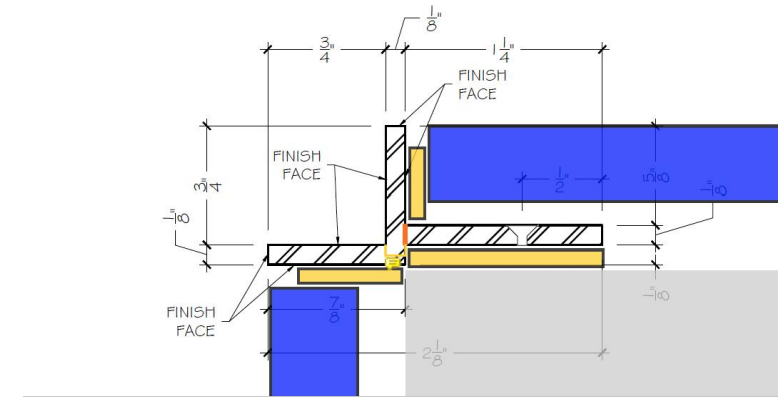
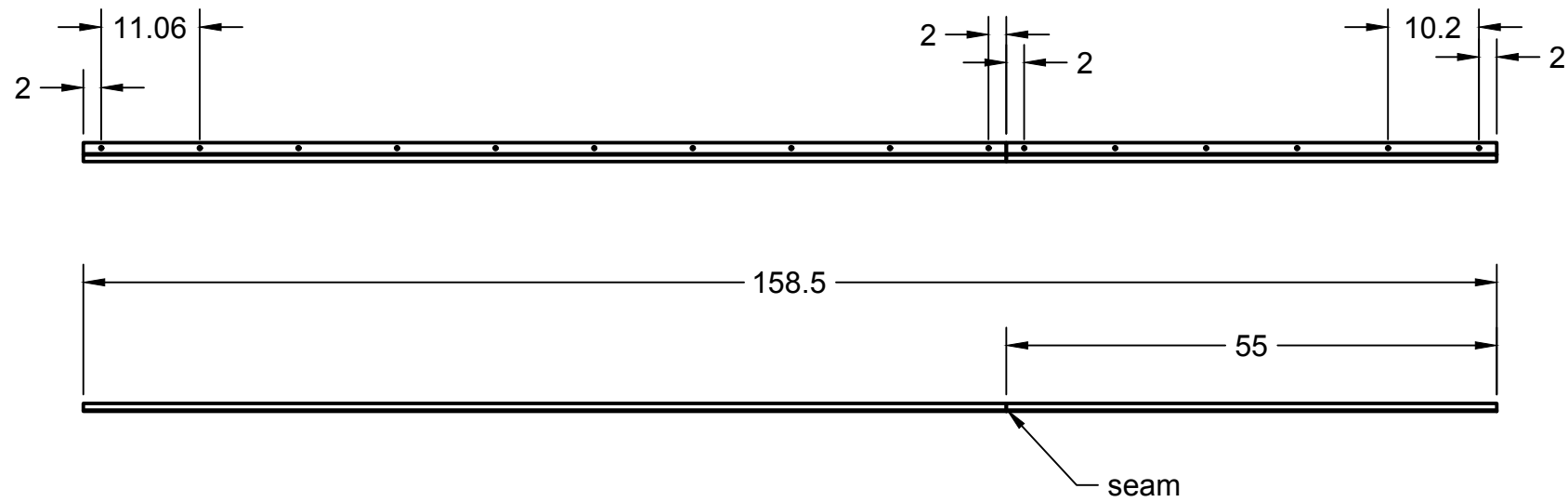
all holes drilled and countersunk for #8 screw	PROJECT			
	HPS			
5.06 - V	TITLE			
	Type11&12_138-1/8"_x1			
APPROVED	SIZE	CODE	DWG NO	REV
CHECKED	B			
DRAWN Weston Rivell	10/26/20	SCALE 1:20	WEIGHT	SHEET 1/1



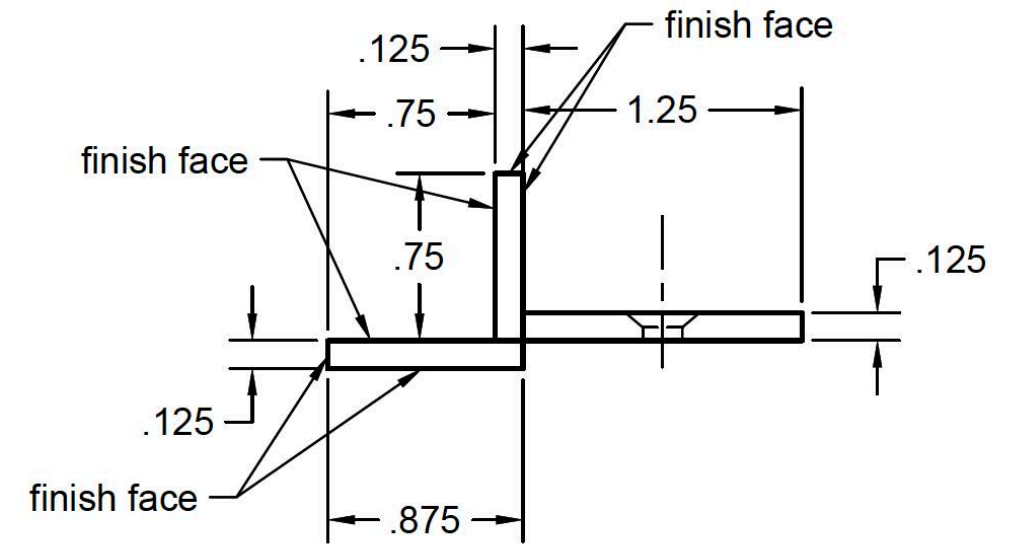
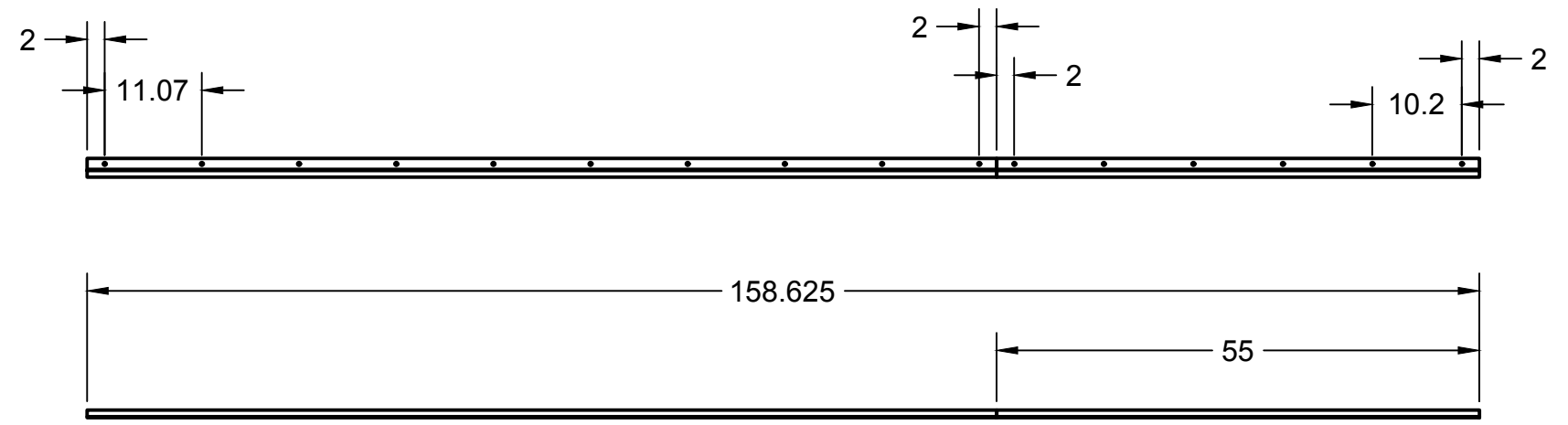
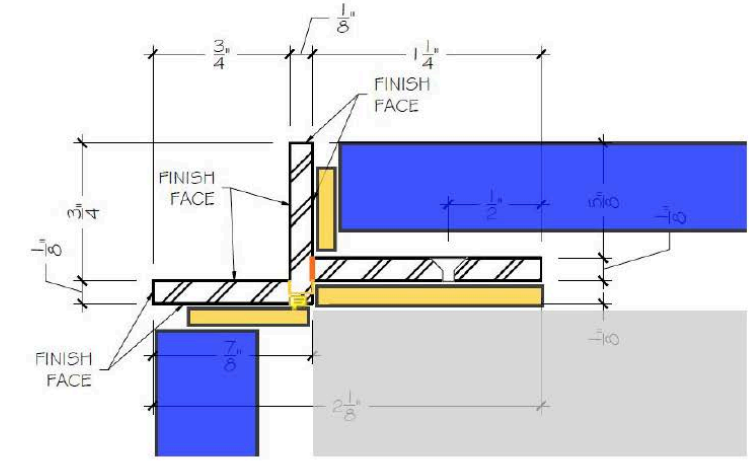
all holes drilled and countersunk for #8 screw 5.06 - G, H, I, L	PROJECT HPS			
	TITLE Type11&12_151-1/4"_x4			
APPROVED	SIZE	CODE	DWG NO	REV
CHECKED	B			
DRAWN Weston Rivell 10/26/20	SCALE 1:20	WEIGHT		SHEET 1/1



all holes drilled and countersunk for #8 screw	PROJECT			
	HPS			
5.04 - C	TITLE			
	Type11&12_152"_x1			
APPROVED	SIZE	CODE	DWG NO	REV
CHECKED	B			
DRAWN Weston Rivell	10/26/20	SCALE 1:20	WEIGHT	SHEET 1/1

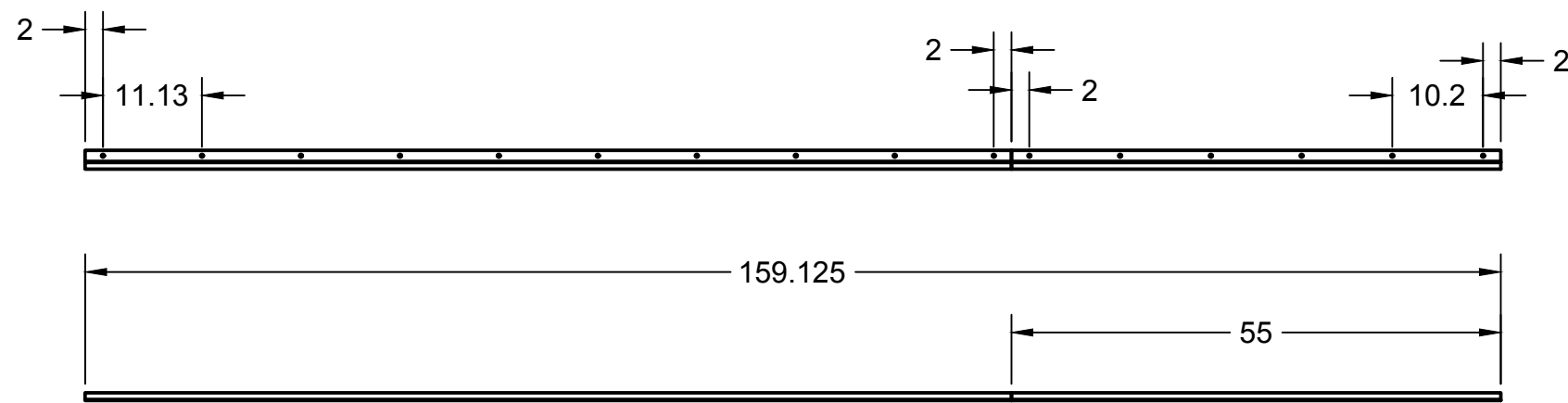


all holes drilled and countersunk for #8 screw 5.02 - C 5.03 - F, G	PROJECT			
	HPS			
APPROVED CHECKED	TITLE			REV
	Type11&12_158-1/2"_x3			
DRAWN	Weston Rivell	10/26/20	SCALE 1:20	WEIGHT
			SHEET	1/1

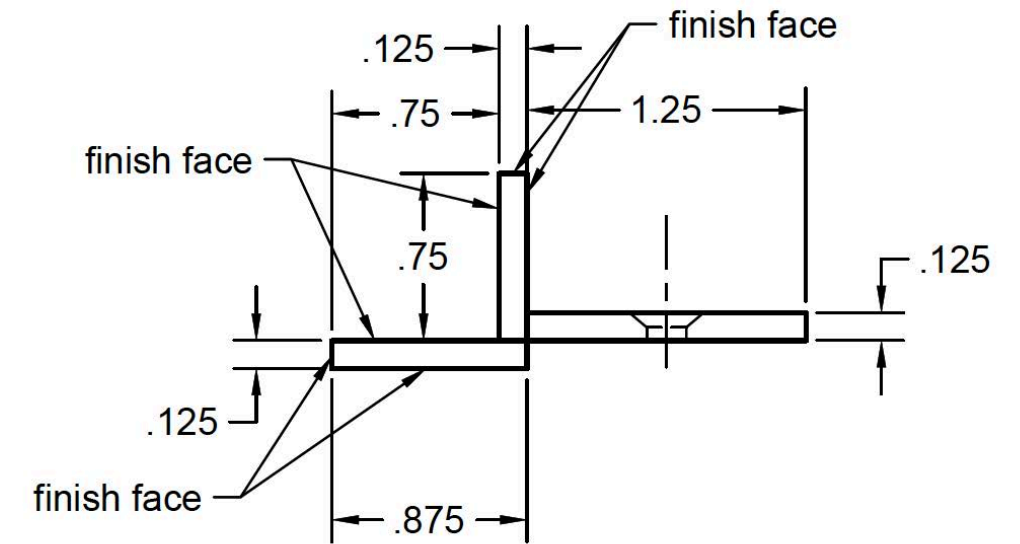
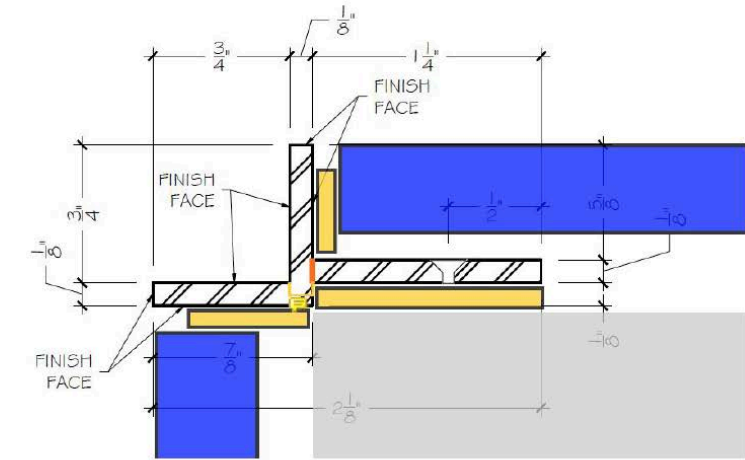
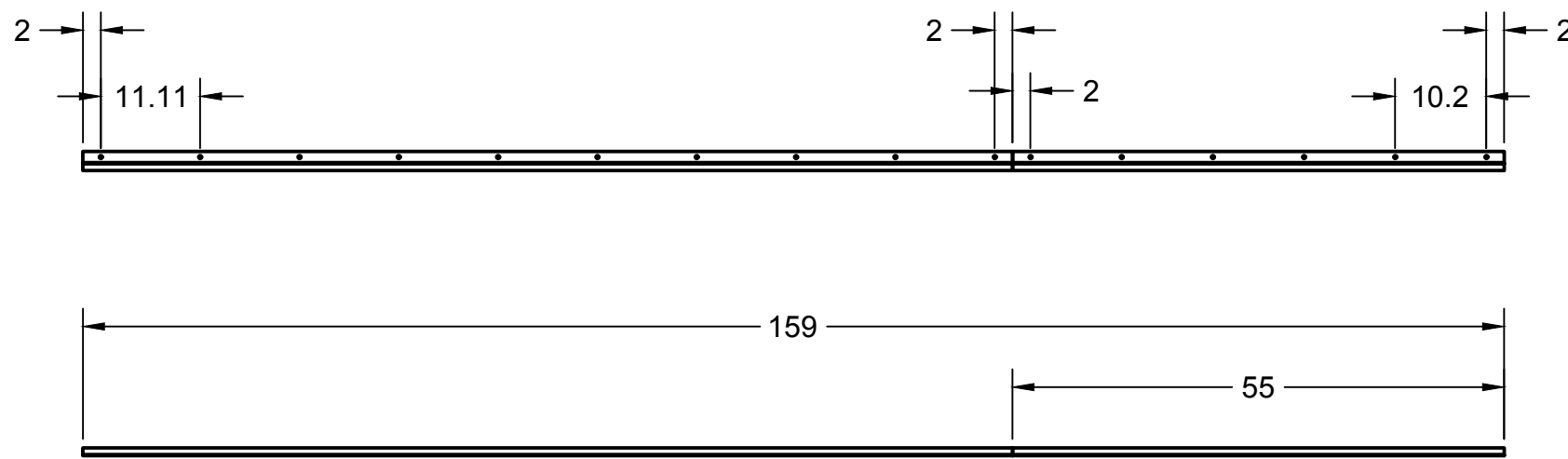


all holes drilled and countersunk for #8 screw 5.06 - B, C	PROJECT			
	HPS			
	TITLE			
	Type11&12_158-5/8"_x2			
APPROVED	SIZE	CODE	DWG NO	REV
CHECKED	B			
DRAWN Weston Rivell	10/26/20	SCALE 1:20	WEIGHT	SHEET 1/1





all holes drilled and countersunk for #8 screw	PROJECT HPS			
	TITLE Type11&12_159-1/8"_x1			
5.04 - E	SIZE	CODE	DWG NO	REV
APPROVED	B			
CHECKED				
DRAWN Weston Rivell 10/26/20	SCALE 1:20	WEIGHT	SHEET 1/1	



all holes drilled and countersunk for #8 screw 5.05 - B, C, F, G 5.06 - O, R, S	PROJECT			
	HPS TITLE Type11&12_159"_x7			
APPROVED	SIZE	CODE	DWG NO	REV
CHECKED	B			
DRAWN Weston Rivell	10/26/20	SCALE 1:20	WEIGHT	SHEET 1/1