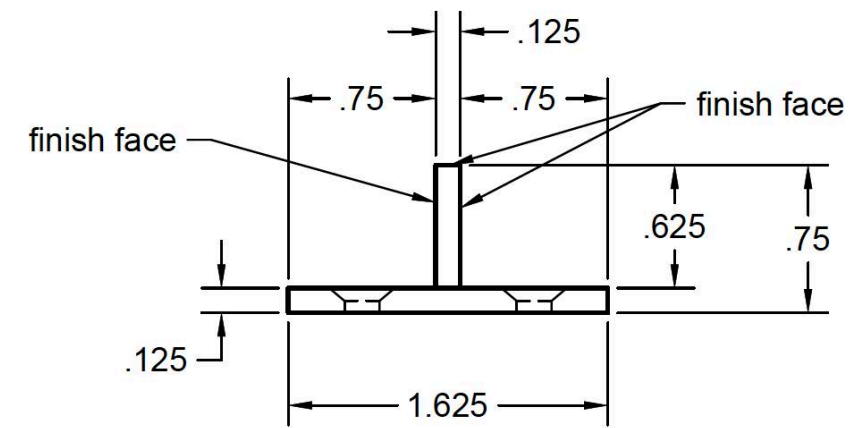
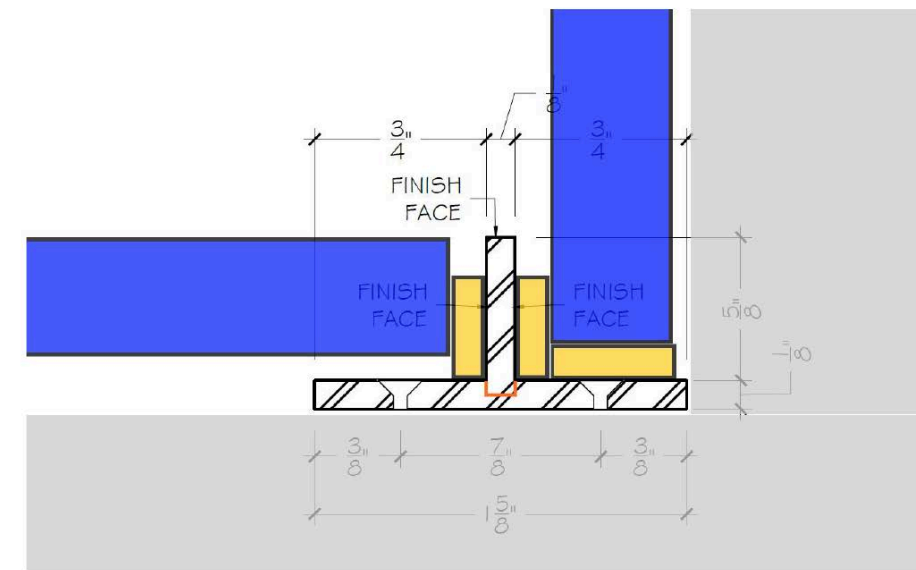
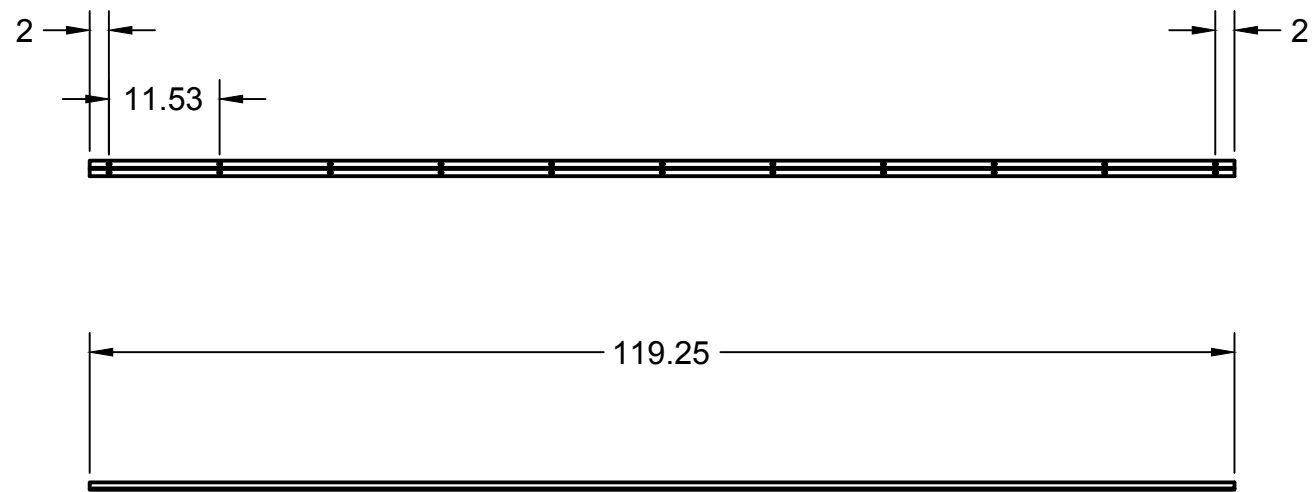
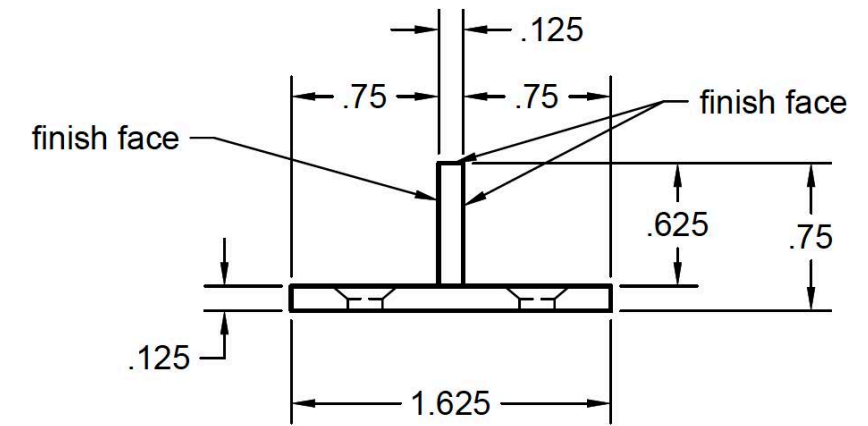
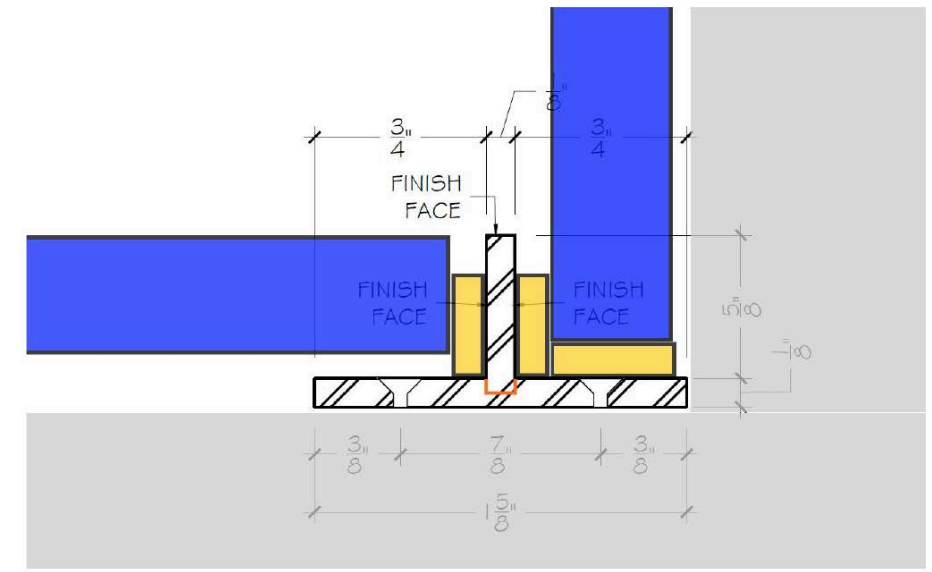
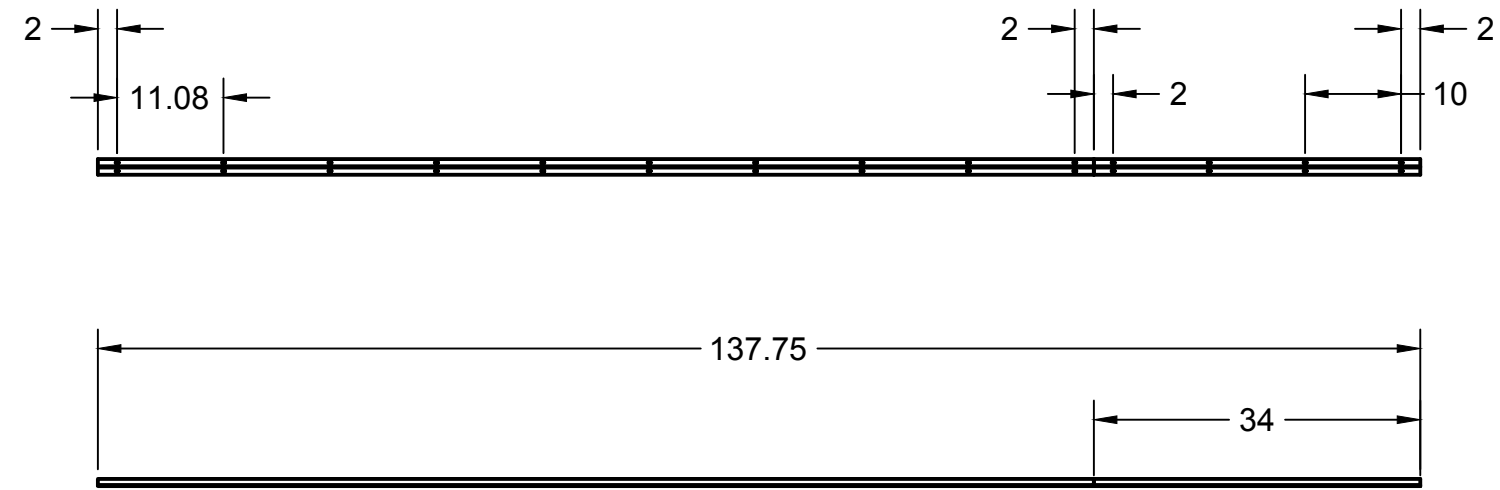


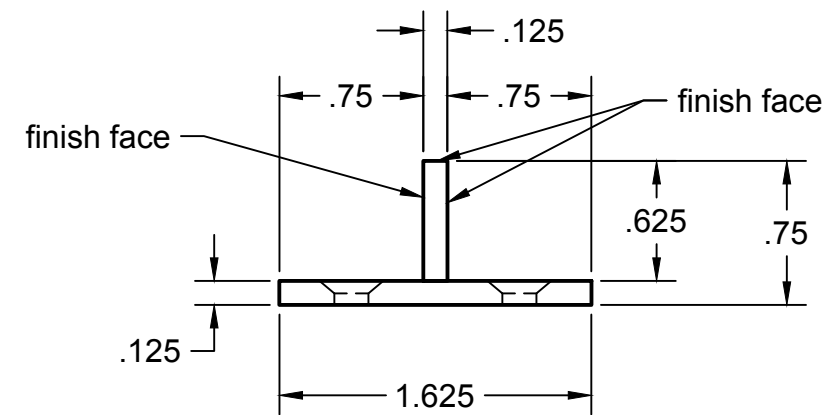
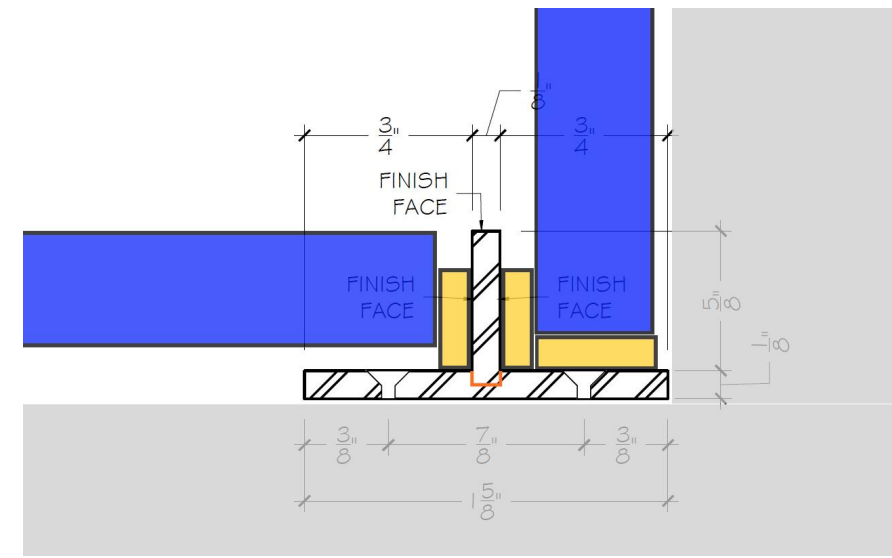
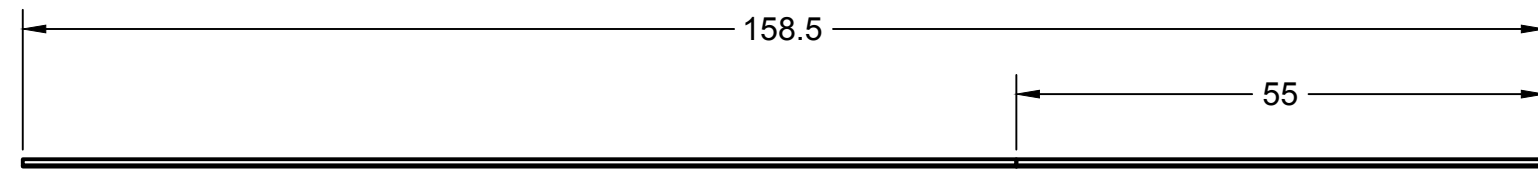
all holes drilled and countersunk for #8 screw  5.07 - E, F	PROJECT			
	<b>HPS</b>			
	TITLE			
	<b>Type7&amp;13_40"_x2</b>			
APPROVED	SIZE	CODE	DWG NO	REV
CHECKED	B			
DRAWN	Weston Rivell	10/26/20	SCALE 1:20	WEIGHT
			SHEET	1/1



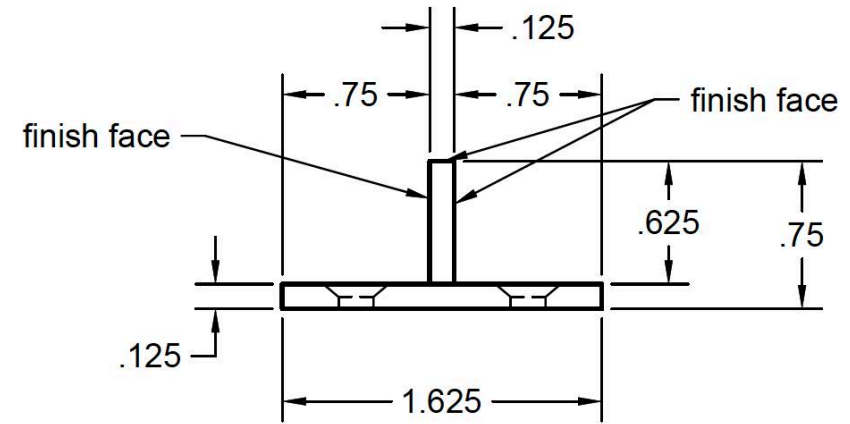
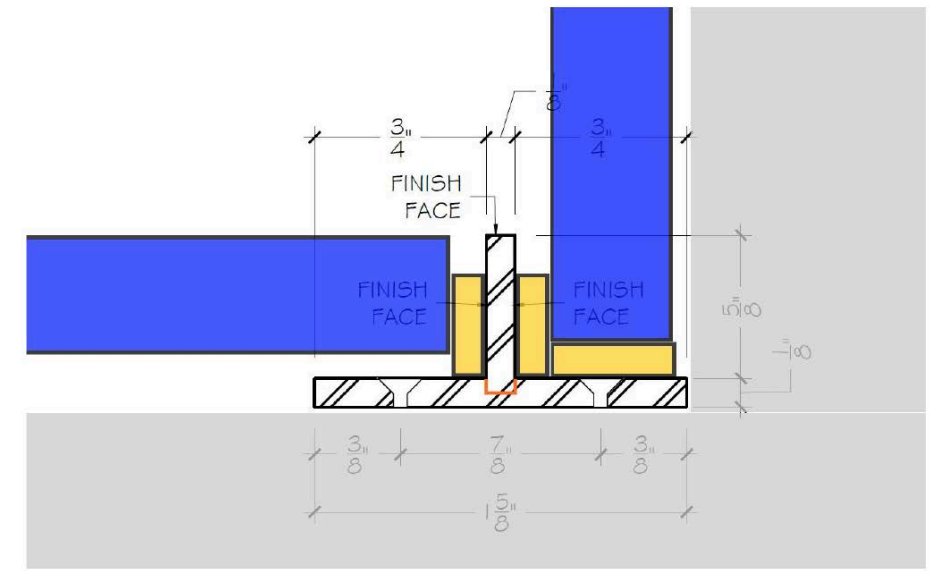
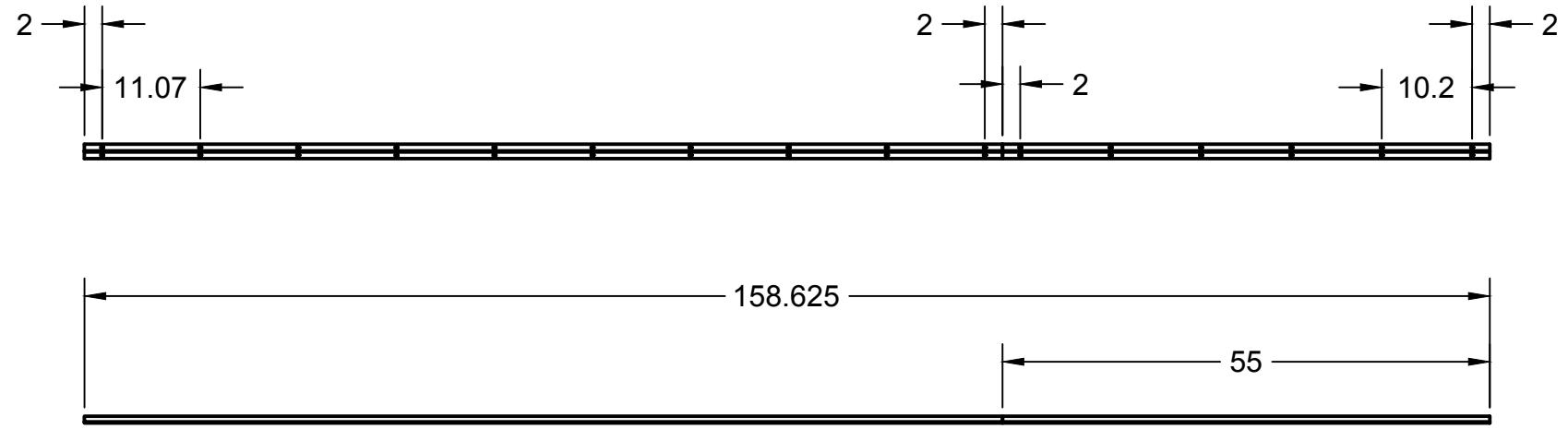
all holes drilled and countersunk for #8 screw  5.07 - A, C 5.09 - B, G, L, Q EXTRA	PROJECT			
	<b>HPS</b> TITLE <b>Type7&amp;13_119-1/4"_x8</b>			
APPROVED	SIZE	CODE	DWG NO	REV
CHECKED	B			
DRAWN	Weston Rivell	10/26/20	SCALE 1:20	WEIGHT
				SHEET 1/1



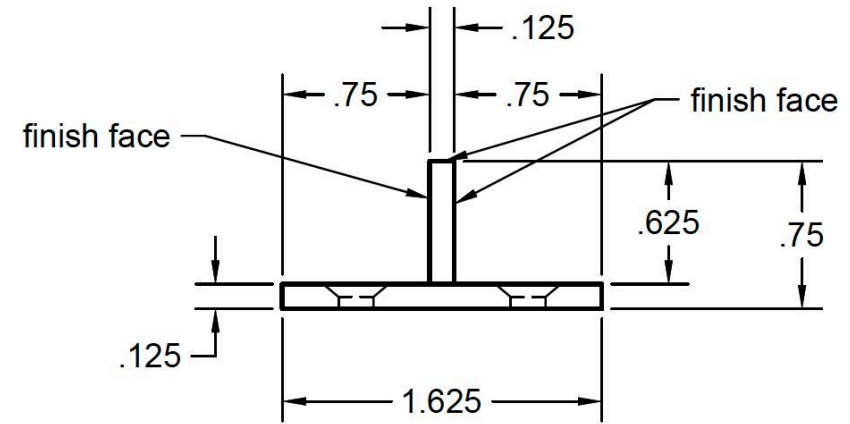
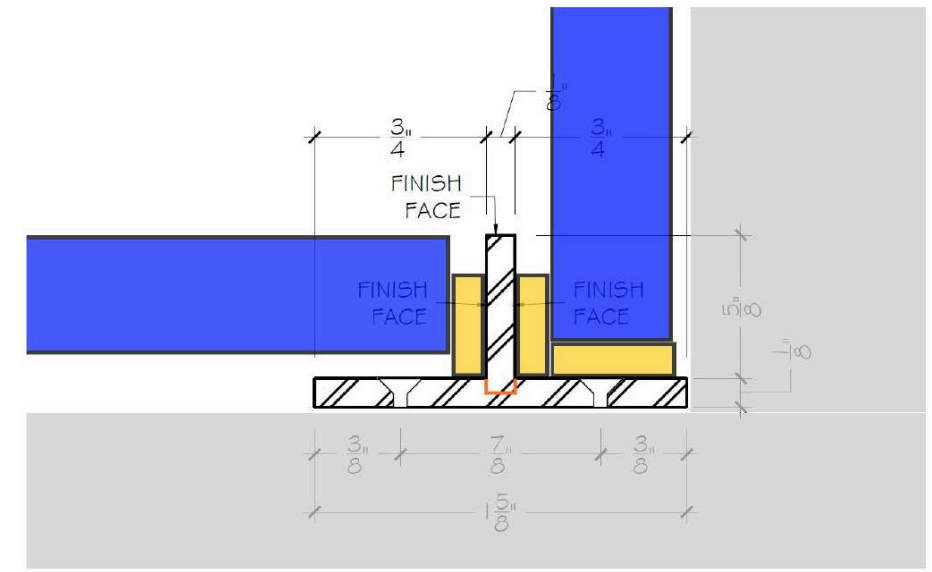
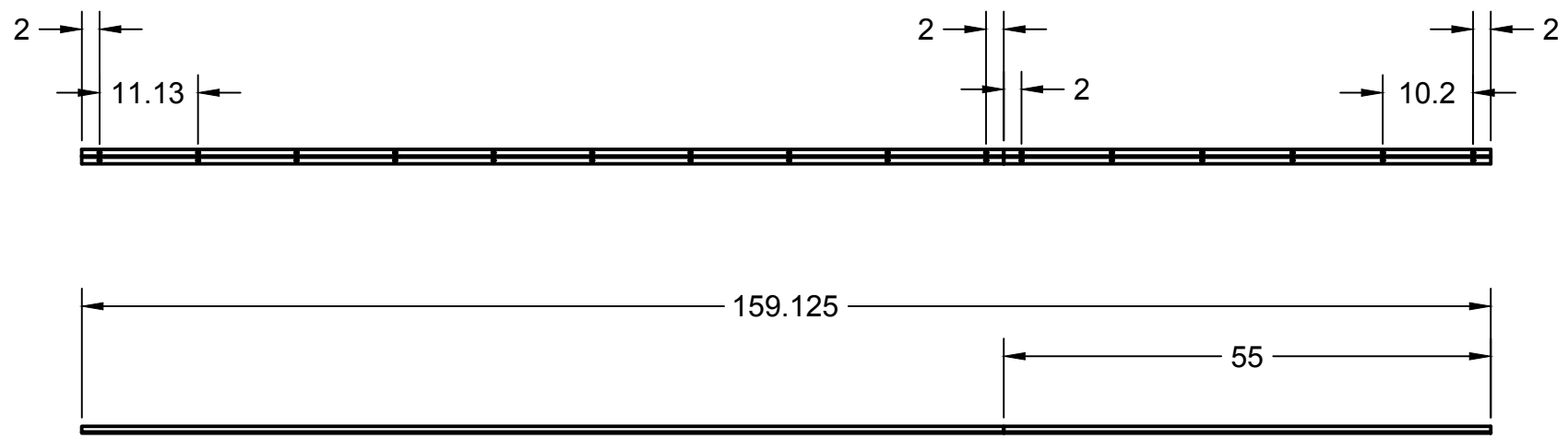
all holes drilled and countersunk for #8 screw	PROJECT <b>HPS</b>			
	TITLE <b>Type7&amp;13_137-3/4"_x1</b>			
APPROVED	SIZE	CODE	DWG NO	REV
CHECKED	B			
DRAWN Weston Rivell	10/26/20	SCALE 1:20	WEIGHT	SHEET 1/1



all holes drilled and countersunk for #8 screw  5.02 - B 5.03 - B	PROJECT			
	<b>HPS</b>			
	TITLE			
	<b>Type7&amp;13_158-1/2"_x2</b>			
APPROVED	SIZE	CODE	DWG NO	REV
CHECKED	B			
DRAWN	Weston Rivell	10/26/20	SCALE 1:20	WEIGHT
				SHEET 1/1



all holes drilled and countersunk for #8 screw	PROJECT			
	<b>HPS</b>			
5.04 - B	TITLE			
	<b>Type7&amp;13_158-5/8"_x1</b>			
APPROVED	SIZE	CODE	DWG NO	REV
CHECKED	B			
DRAWN Weston Rivell	10/26/20	SCALE 1:20	WEIGHT	SHEET 1/1



all holes drilled and countersunk for #8 screw	PROJECT			
	<b>HPS</b>			
5.04 - D	TITLE			
	<b>Type7&amp;13_159-1/8"_x1</b>			
APPROVED	SIZE	CODE	DWG NO	REV
CHECKED	B			
DRAWN Weston Rivell	10/26/20	SCALE 1:20	WEIGHT	SHEET 1/1