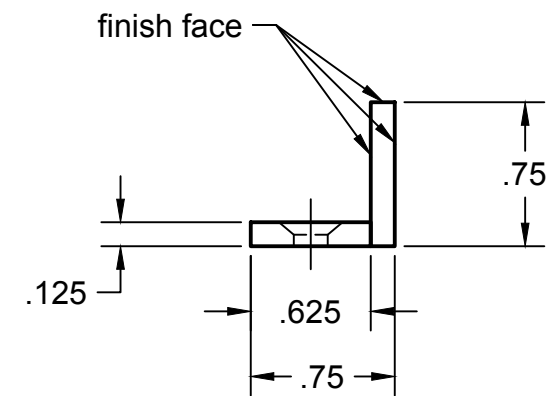
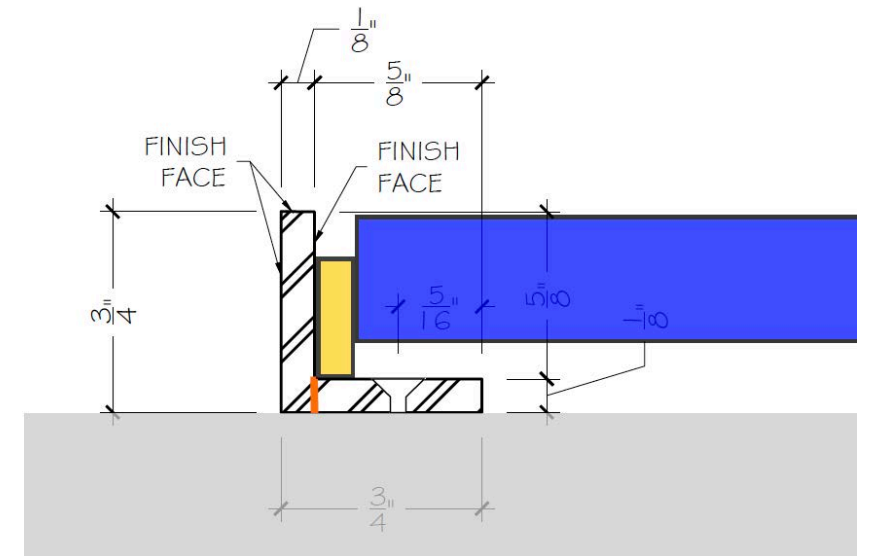
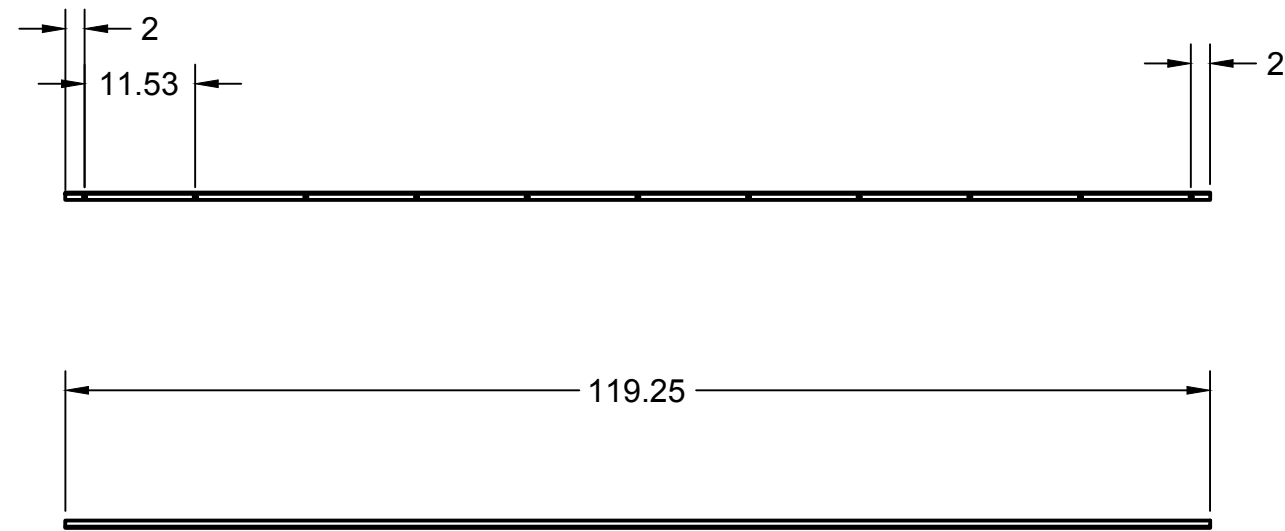
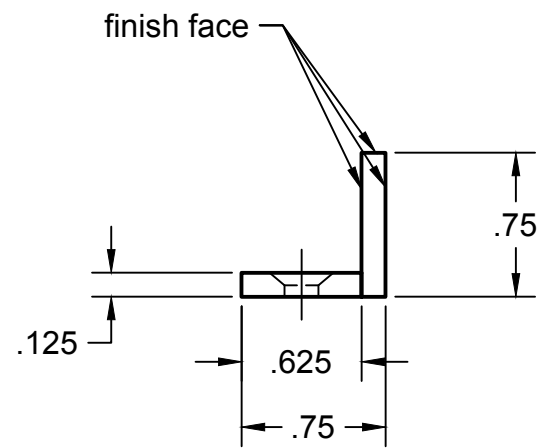
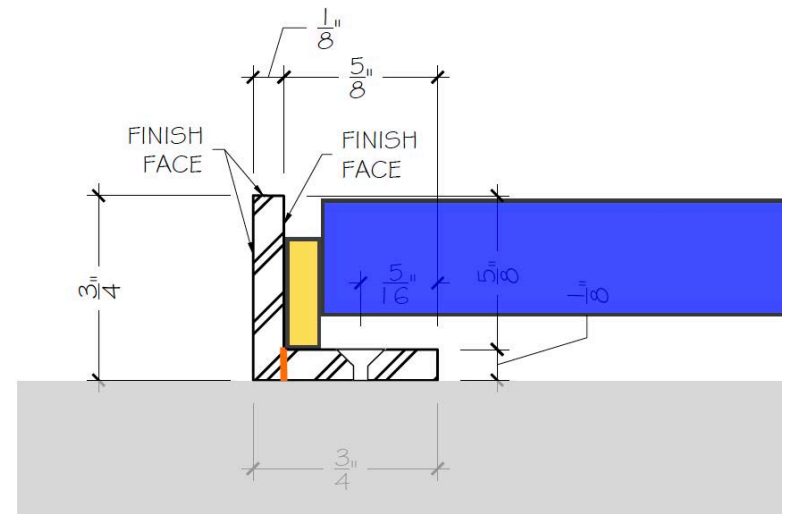
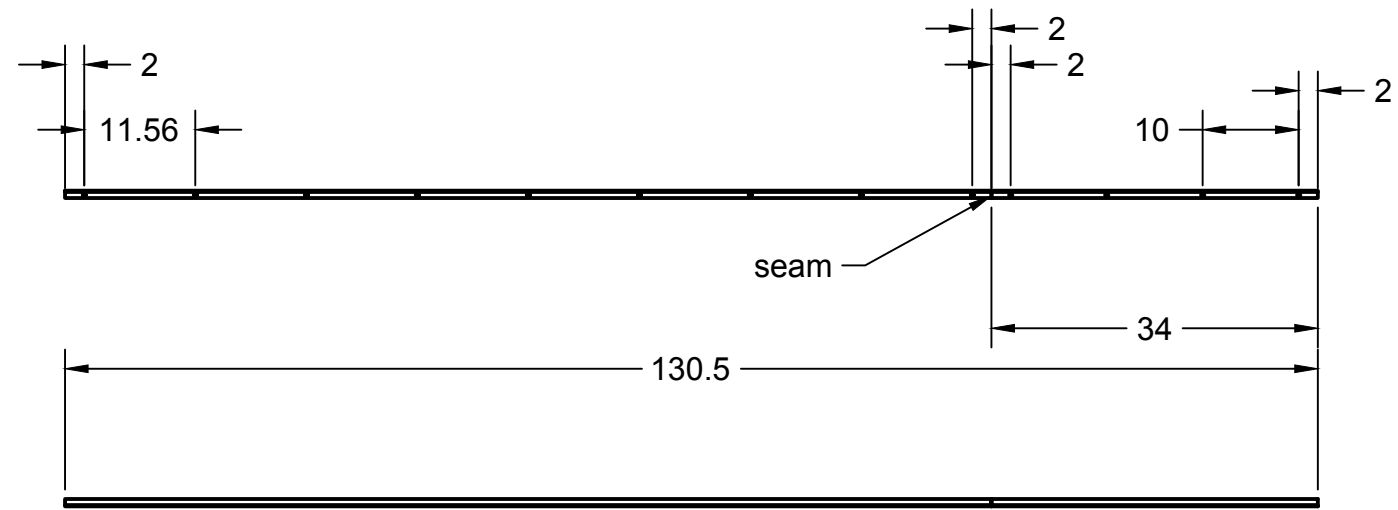


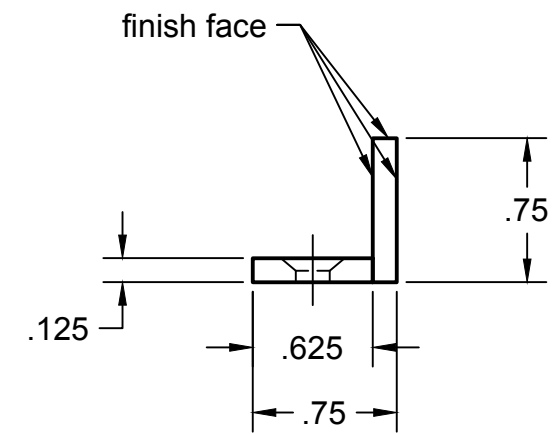
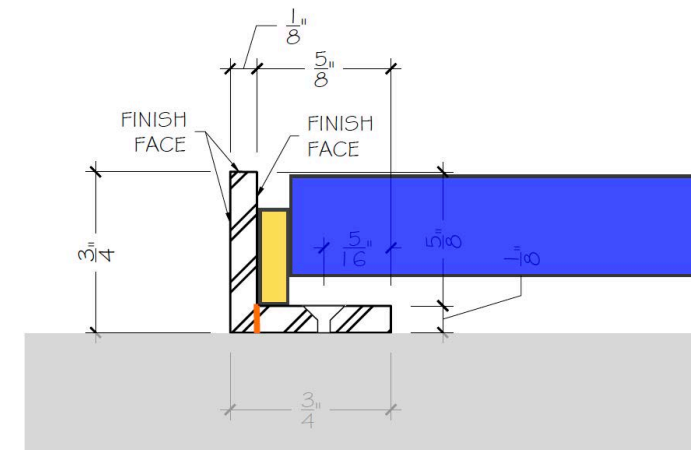
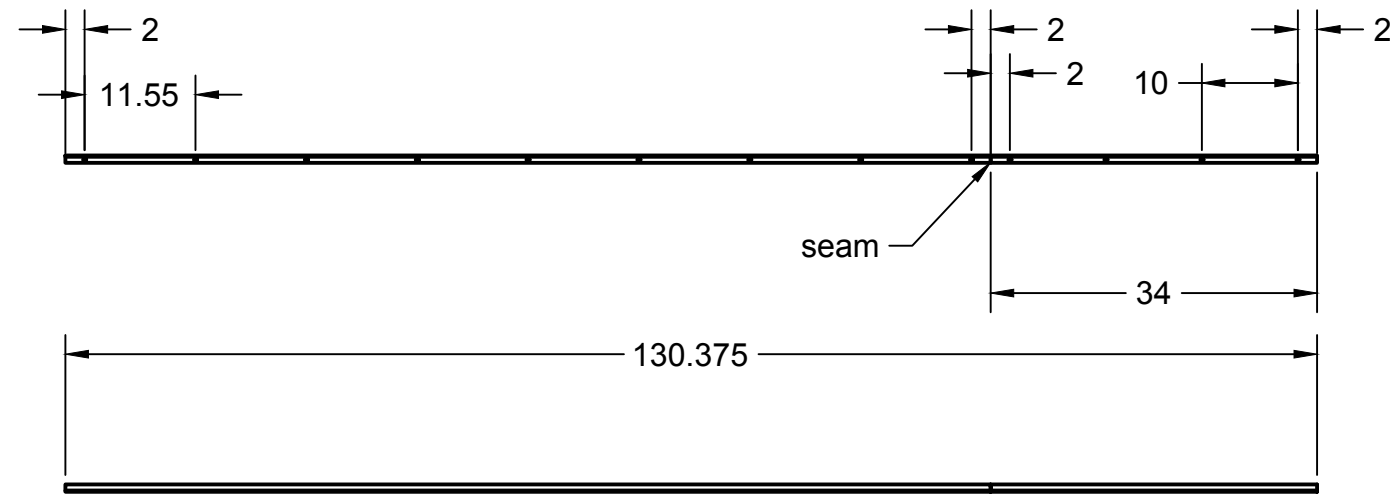
all holes drilled and countersunk for #8 screw  5.02 - A 5.04 - F 5.06 - A, D, E, P	PROJECT			
	<b>HPS</b>			
APPROVED  CHECKED	TITLE			REV
	<b>Type9/10_144-1/4"_x6</b>			
DRAWN	Weston Rivell	10/22/20	SCALE 1:20	WEIGHT
		SHEET 1/1		



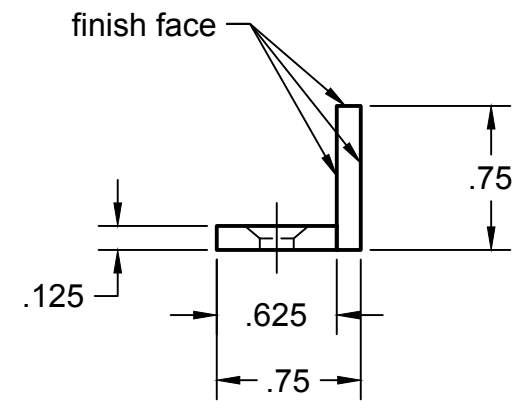
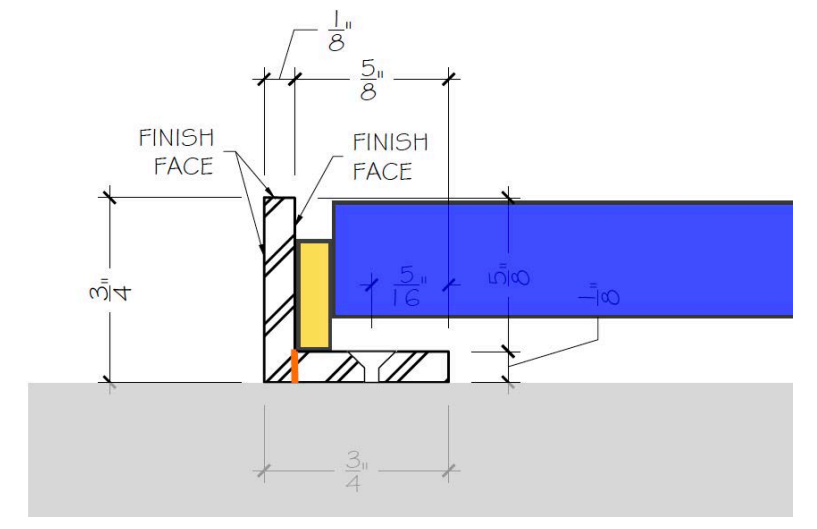
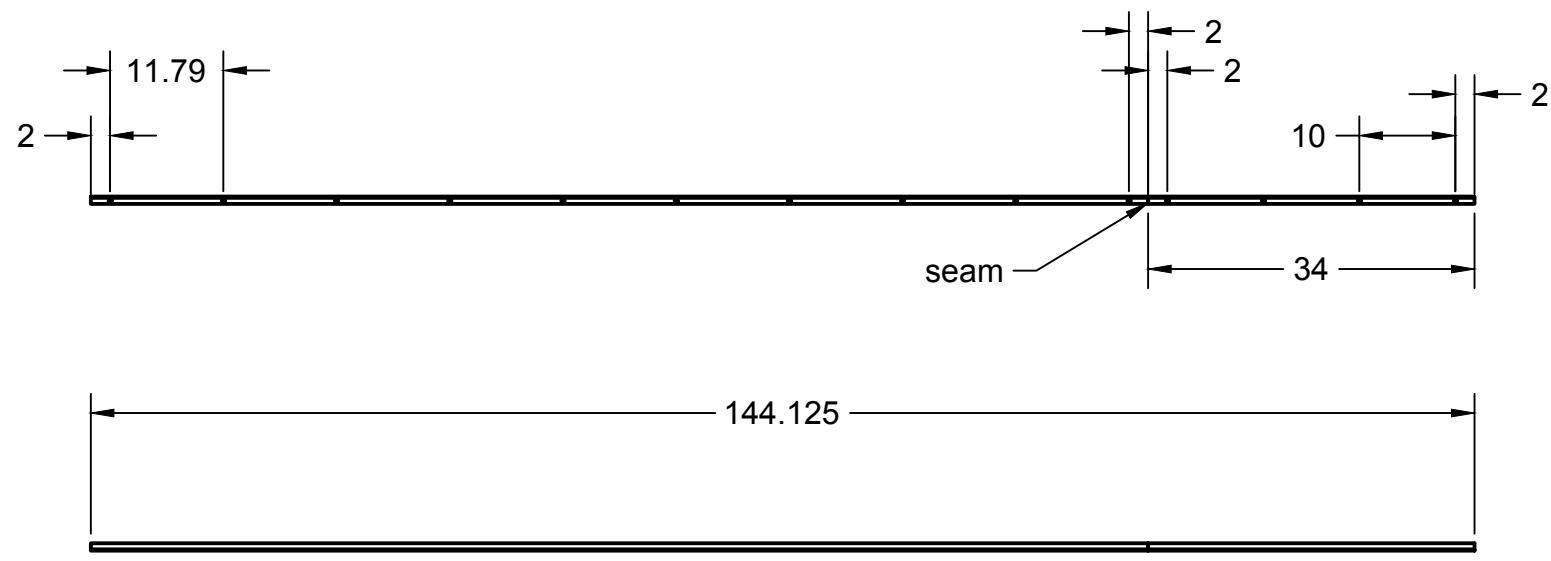
all holes drilled and countersunk for #8 screw  EXTRA	PROJECT			
	<b>HPS</b>			
	TITLE			
	<b>Type9/10_119-1/4"_x2</b>			
APPROVED	SIZE	CODE	DWG NO	REV
CHECKED	B			
DRAWN	Weston Rivell	10/22/20	SCALE 1:20	WEIGHT
				SHEET 1/1



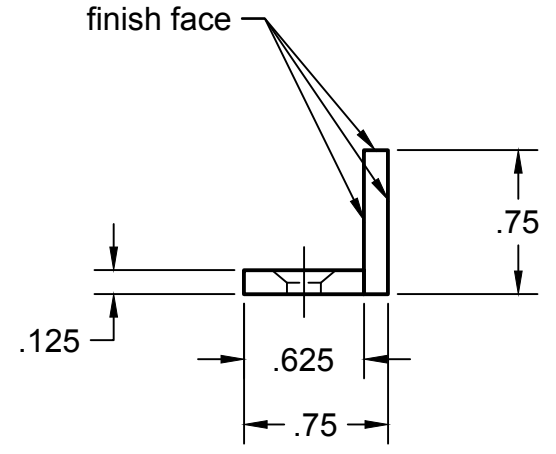
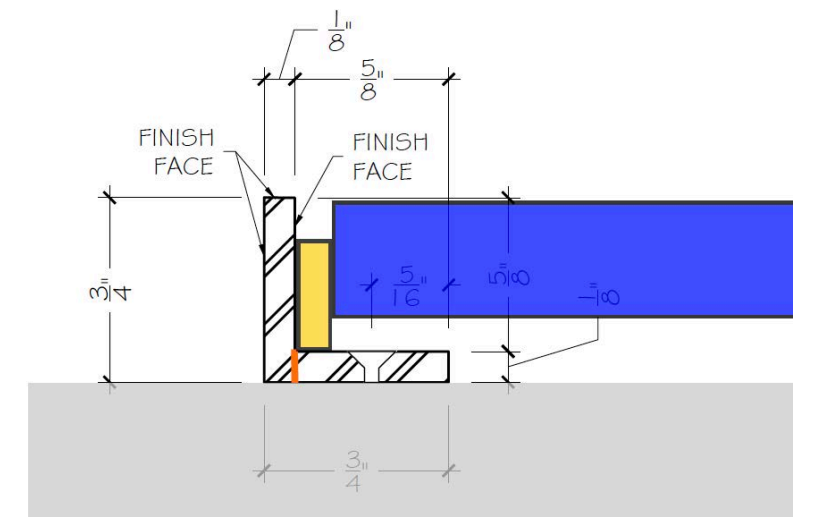
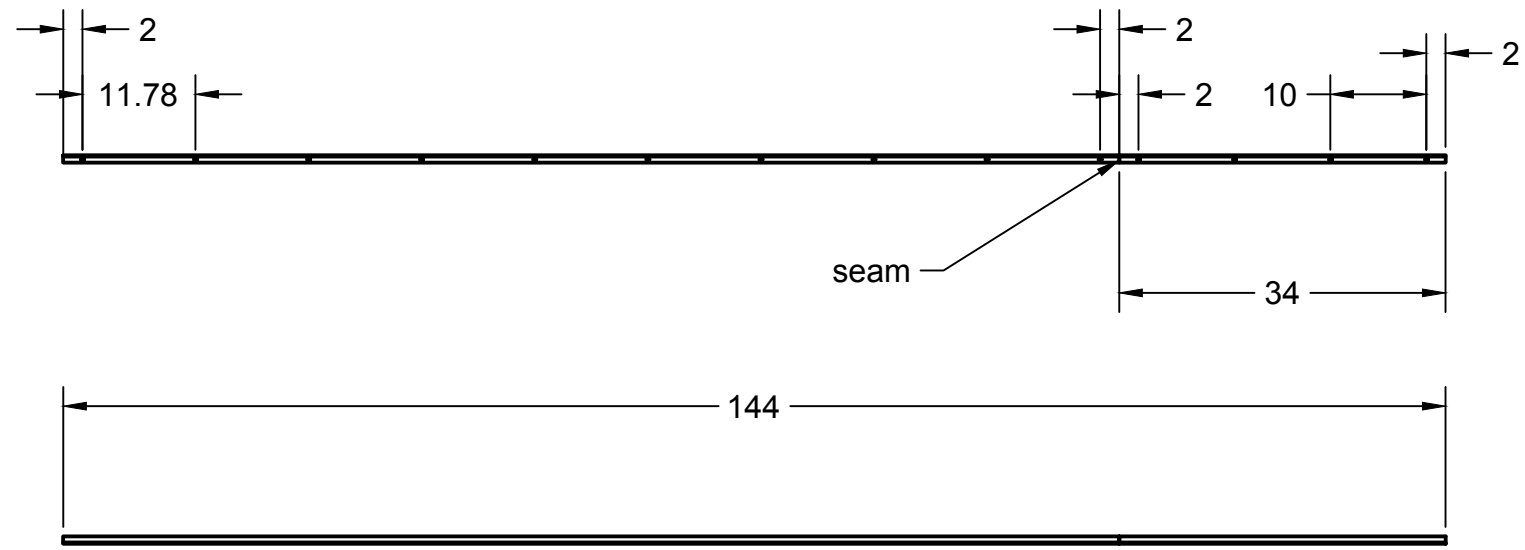
all holes drilled and countersunk for #8 screw  5.06 - J	PROJECT			
	<b>HPS</b>			
	TITLE			
	<b>Type9/10_130-1/2"_x1</b>			
APPROVED	SIZE	CODE	DWG NO	REV
CHECKED	B			
DRAWN	Weston Rivell	10/22/20	SCALE 1:20	WEIGHT
				SHEET 1/1



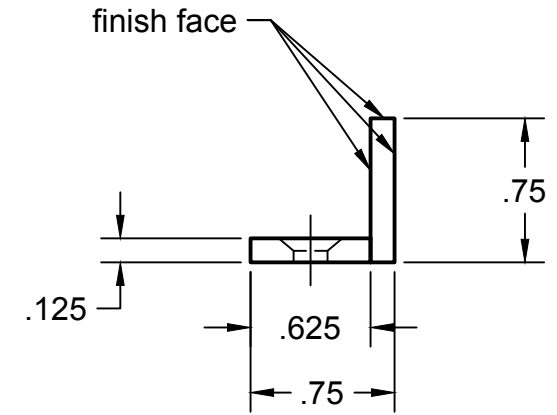
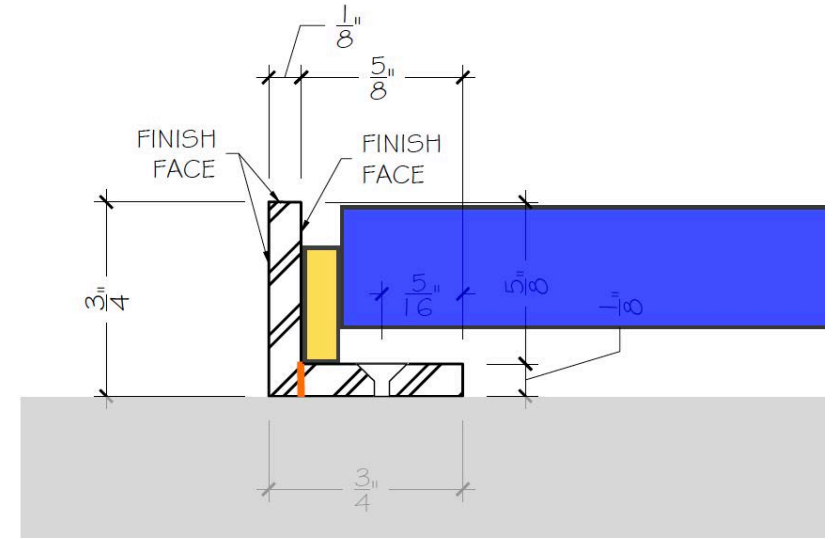
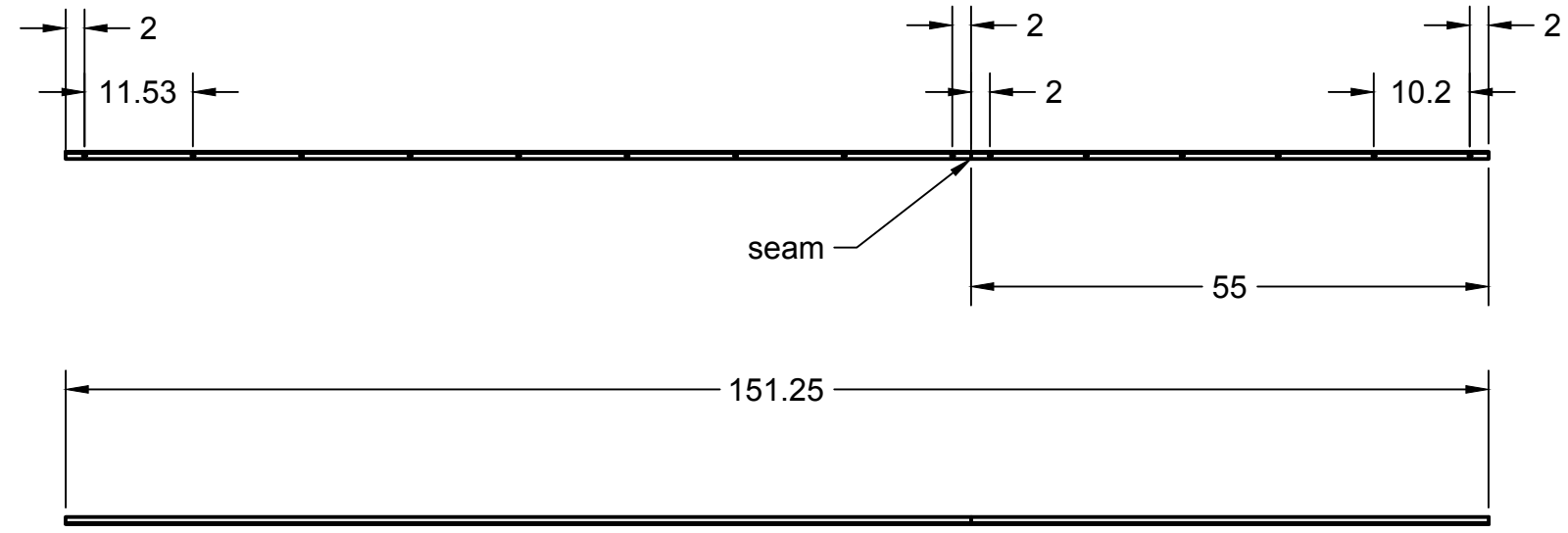
all holes drilled and countersunk for #8 screw	PROJECT			
	<b>HPS</b>			
5.06 - K	TITLE			
	<b>Type9/10_130-3/8"_x1</b>			
APPROVED	SIZE	CODE	DWG NO	REV
CHECKED	B			
DRAWN Weston Rivell 10/22/20	SCALE 1:20	WEIGHT	SHEET 1/1	



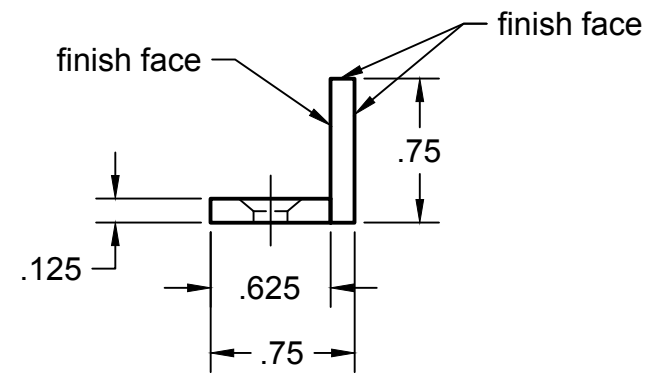
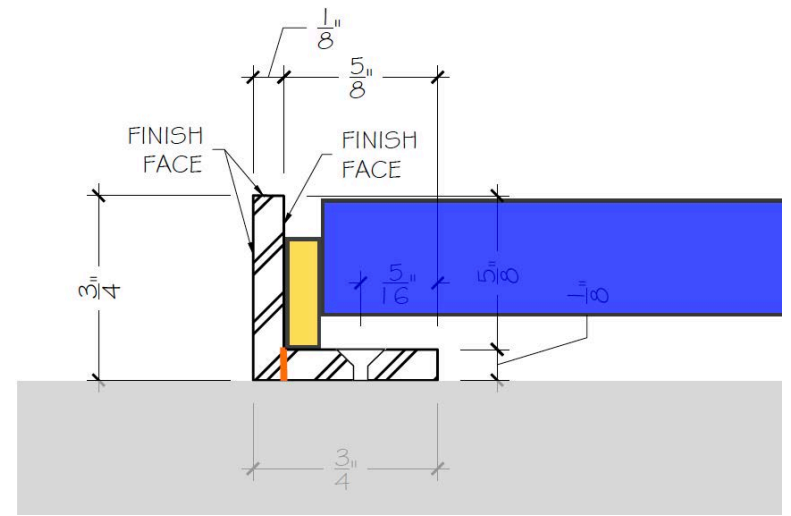
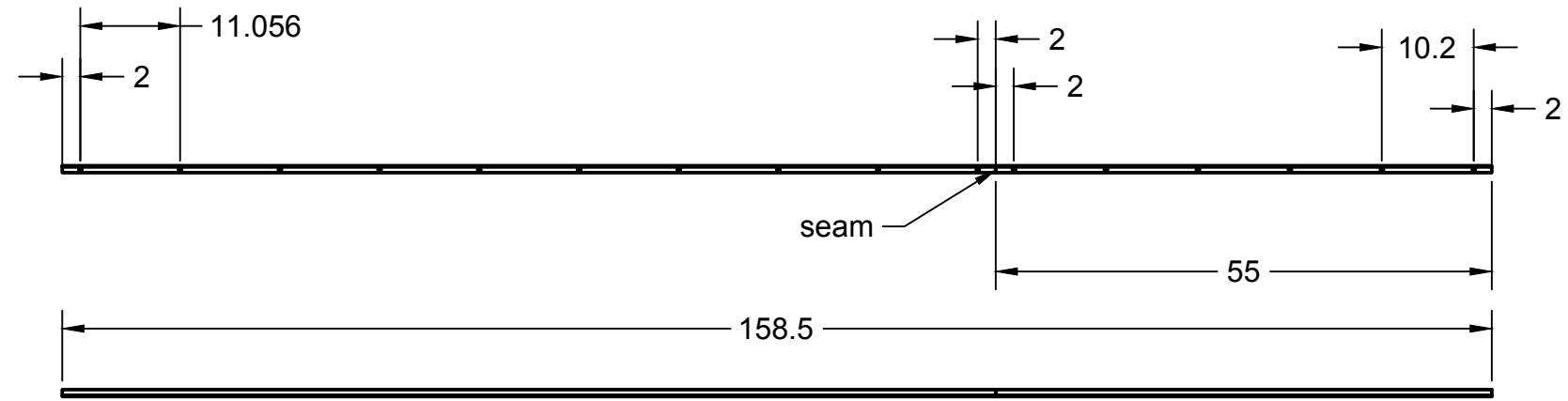
all holes drilled and countersunk for #8 screw  5.05 - A, D, E, H 5.06 - U,W	PROJECT			
	<b>HPS</b>			
APPROVED  CHECKED	TITLE			REV
	<b>Type9/10_144-1/8"_x6</b>			
DRAWN	Weston Rivell	10/22/20	SCALE 1:20	WEIGHT
			SHEET 1/1	



all holes drilled and countersunk for #8 screw	PROJECT			
	<b>HPS</b>			
5.06 - Q, T	TITLE			
	<b>Type9/10_144" _x2</b>			
APPROVED	SIZE	CODE	DWG NO	REV
CHECKED	B			
DRAWN Weston Rivell	10/22/20	SCALE 1:20	WEIGHT	SHEET 1/1



all holes drilled and countersunk for #8 screw	PROJECT			
	<b>HPS</b>			
5.06 - M, N	TITLE			
	<b>Type9/10_151-1/4"_x2</b>			
APPROVED	SIZE	CODE	DWG NO	REV
CHECKED	B			
DRAWN Weston Rivell	10/22/20	SCALE 1:20	WEIGHT	SHEET 1/1



all holes drilled and countersunk for #8 screw  5.02 - D 5.03 - A	PROJECT			
	<b>HPS</b>			
APPROVED  CHECKED	TITLE			REV
	<b>Type9/10_158-1/2"_x2</b>			
DRAWN	Weston Rivell	10/22/20	SCALE 1:20	WEIGHT
SHEET 1/1				